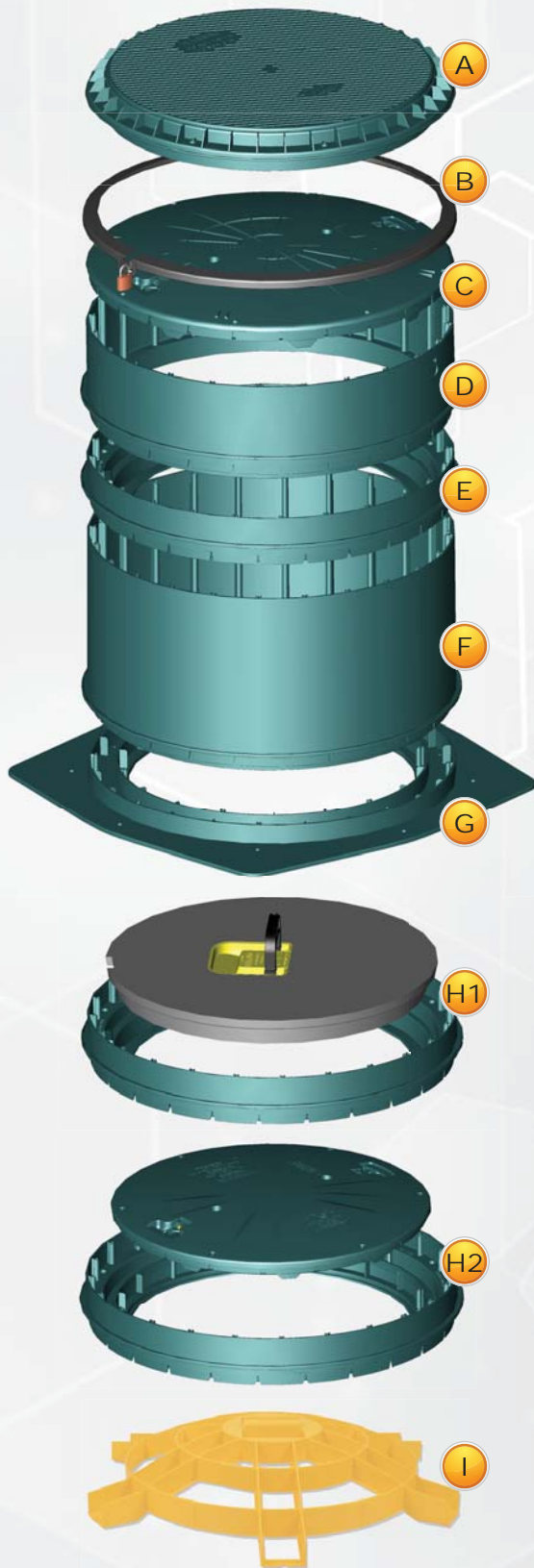


24" RISER SYSTEM



A 24" HEAVY DUTY COVER
(For Polylok Risers + Corrugated Pipe)
Part# 3008-HD

B 24" LID-LOK
(Can be used with 24" Standard Cover **C**.)
Part# 3008-LOK

C 24" STANDARD COVER
Part# 3008-RC

D 24" X 6" RISER
Part# 3008

E 24" X 3" RISER / SAFETY PAN
(Can be cast into concrete or installed anywhere
in the riser stack. See **H1** + **H2**.)
Part# 3008-RP

F 24" X 12" RISER
Part# 3008-R-12

G 24" / 20" ADAPTER RING
(Allows Polylok risers to be easily retrofitted to an
existing tank.)
Part# 3009-AR

H1 24" RISER SAFETY PAN
(Allows a concrete cover to be used as well as a
24" Polylok cover for added protection. Can be cast
into concrete or installed anywhere in the riser stack.)
Part# 3008-RP

H2 24" DUAL SAFETY COVER
(Accepts a Polylok 20" cover inside the 24" riser
stack creating a dual cover for safety. Modified
24" x 3" Riser Safety Pan + 20" Cover)
Part# 3009-KYDC

I 24" RISER SAFETY SCREEN
(Prevent unauthorized entry to the tank. Installs
into the upper most riser in the riser stack.)
Part# 3008-SS