

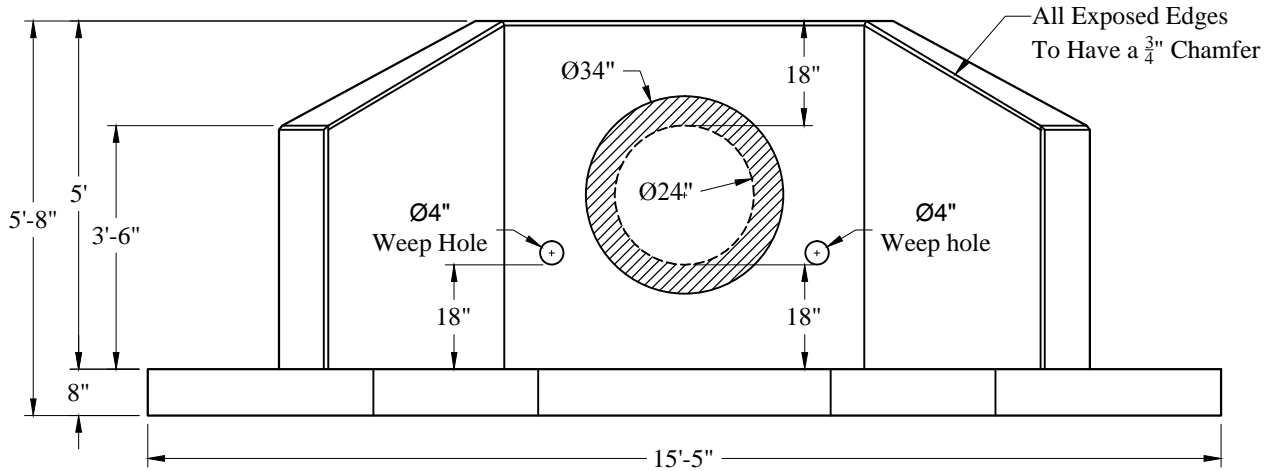
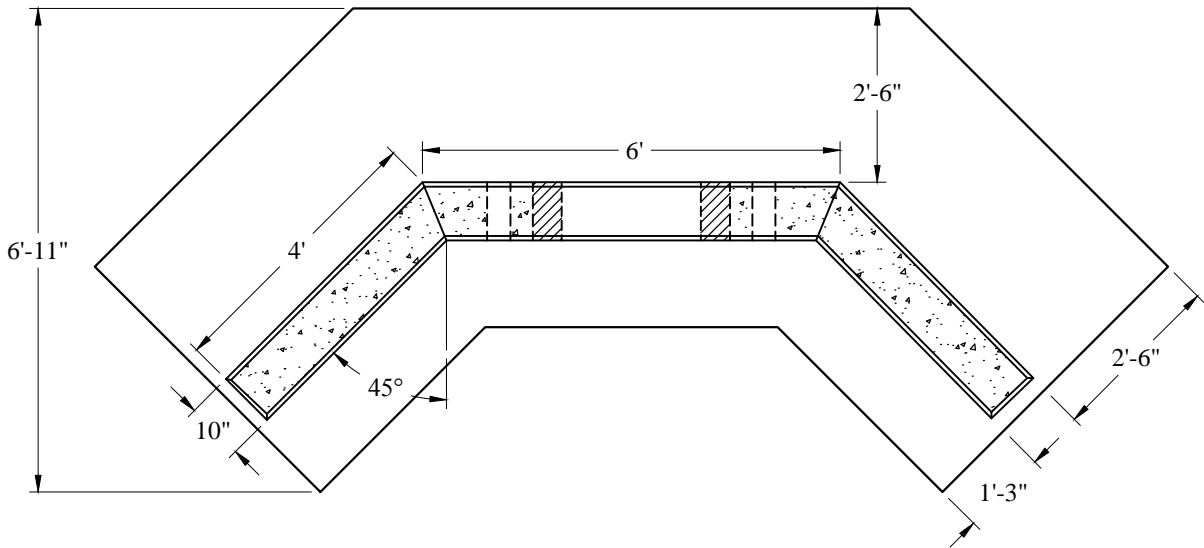
1-800-639-2199

Fax (603) 224-2927

Headwalls\Standard\Wing Walls\24 in\_RCP\_Wing Wall with Base (V)

Phoenix Precast Products

Phoenix Precast Products



Est Weight: 13,300 Lbs

**General Notes**

1. Precast Concrete Shall Conform to AASHTO M 199. Concrete Shall be Class AAA (f 'c = 5000 psi)
2. Reinforcing Steel Shall Conform to AASHTO M 31, ASTM A-615 Grade 60 Black Deformed Bars
3. All Exposed Corners to Have a  $\frac{3}{4}$ " Chamfer

Phoenix  
Precast  
Products

24" RCP Winged  
Headwall with Base

P/N: HWW-24B