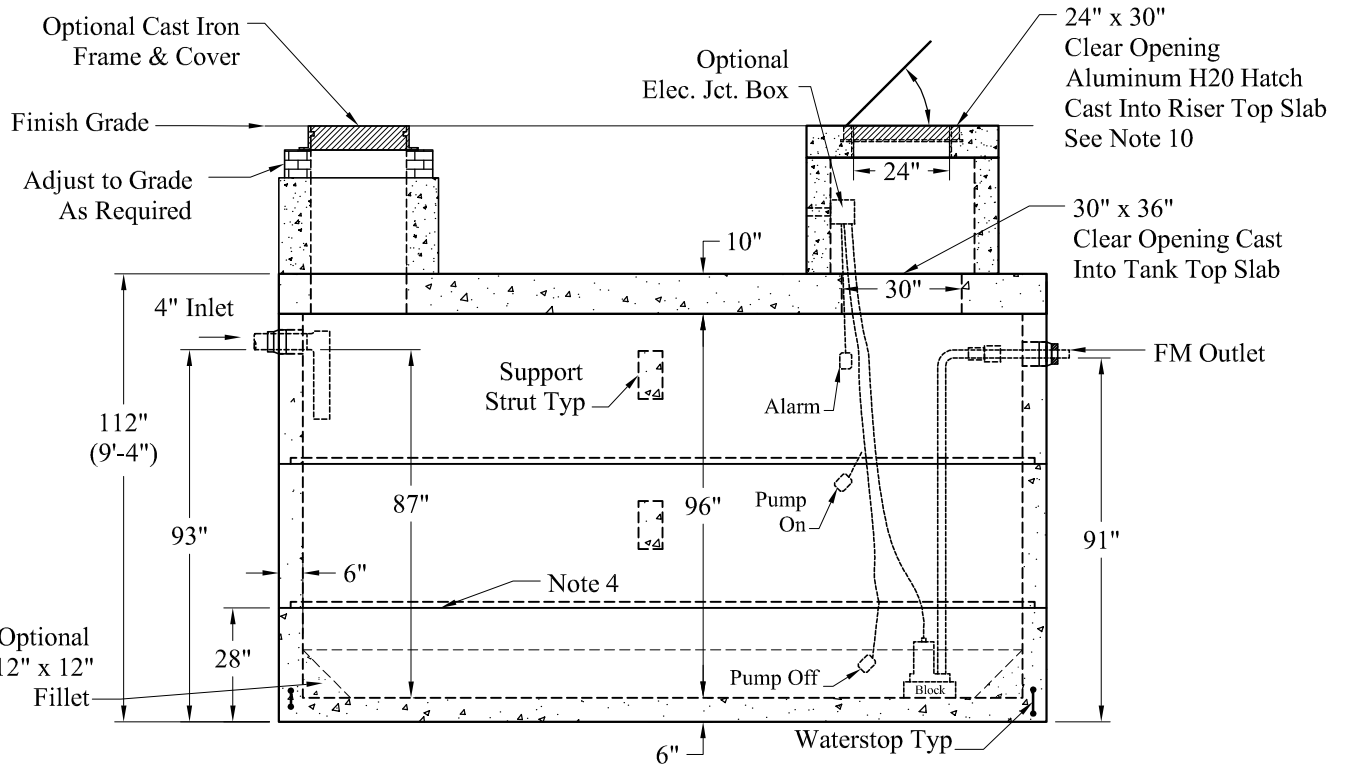


NOTE: A Pipe Bushing Will Be Required on all Boots with Pipes Less Than 4"



Pumps and Related Accessories are Optional.
Junction Box And Electrical Connections
Installed By Others

General Notes:

1. Steel Reinforcement Conforms to Latest ASTM Specifications: ASTM-A615 Grade 60 Rebar
2. Concrete: fc = 5,000 psi @ 28 Days Minimum
3. Flexible Sleeves Provided On All Pipe Connections
4. Butyl Rubber Joint Sealant Provided
5. Internal PVC Baffle Available Upon Request
- Inlet: Shall Penetrate at Least 9" Below the Liquid Level
6. Design Loading: AASHTO-HS20-44, ASTM C-890-06
7. Design Specified As: ASTM C-1227-08, ASTM C-913-08
8. Other Inlet/Outlet Pipe Sizes Available
9. Liquid Level: 787 Gals/VF (66 Gals/In)
4" PVC = 5,509 Gals 6" PVC = 5,443 Gals
10. Larger Hatch Sizes Are Available

Est Weights:

Top Slab -	15,010 Lbs
3' Riser -	10,650 Lbs
3' Riser -	10,650 Lbs
Base -	16,300 Lbs
Total:	52,600 Lbs

Elevations:	
Rim:	
Invert In:	
Alarm On:	
Pump On:	
Pump Off:	
Inside Floor:	

**Phoenix
Precast
Products**

**5,000 Gallon HS-20
Duplex Pump Tank**