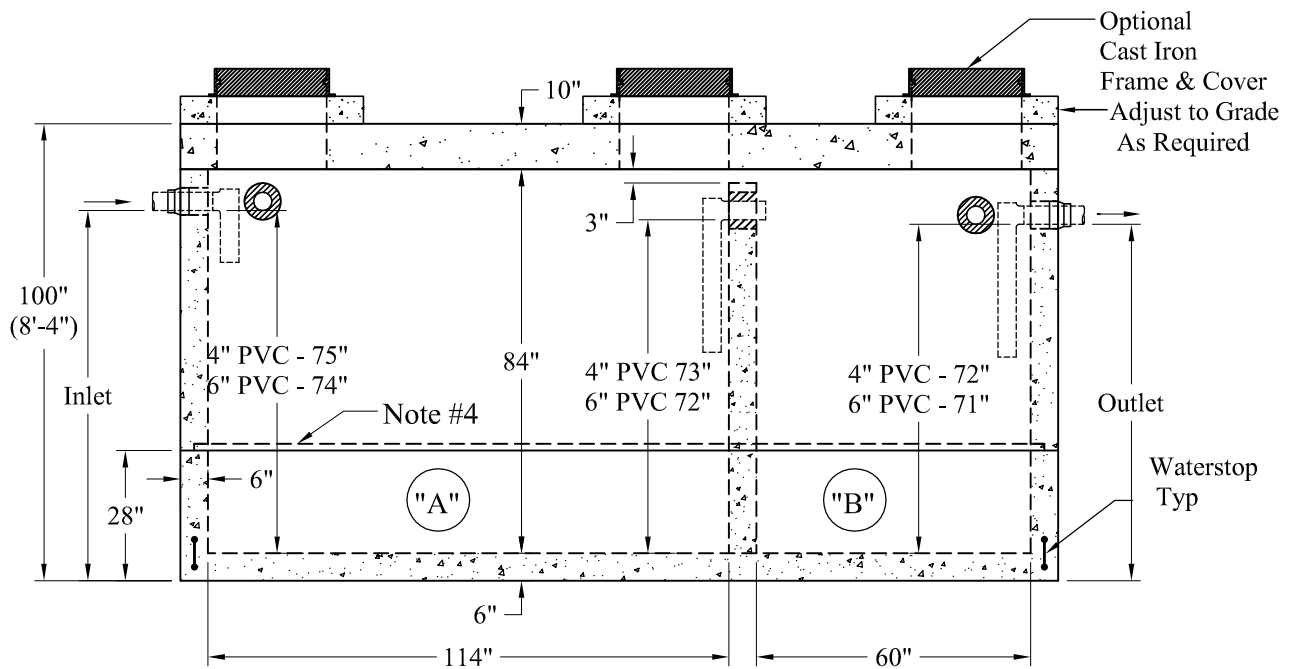
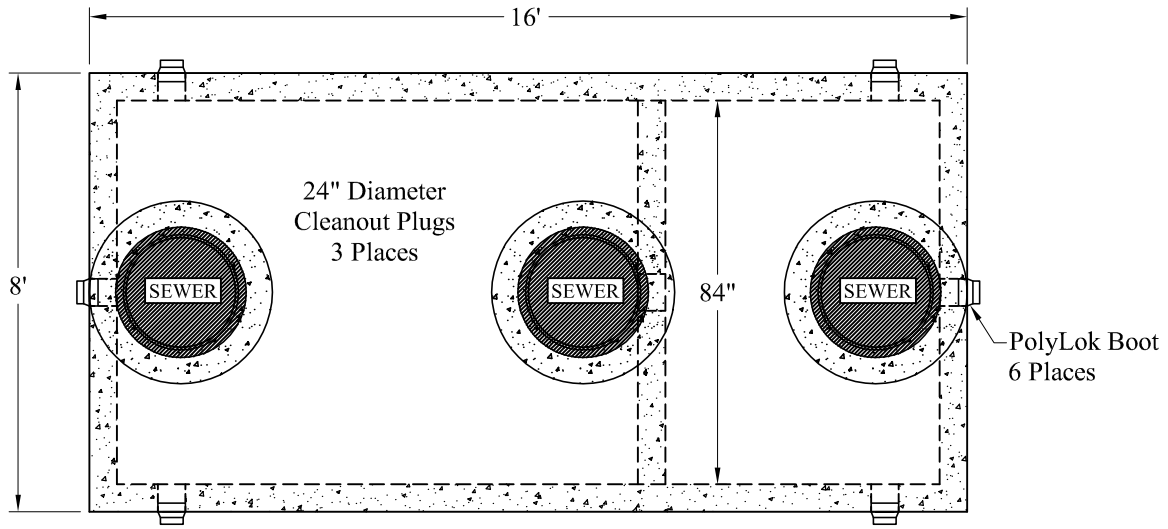


1-800-639-2199

Fax (603) 224-2927

Tanks\Compartment\2-Comp_H20\3000-1500 Gallon 2-Comp H20 Tank Sales



Est. Weights:

- Top Slab - 15,050 Lbs
- 5' Riser - 19,650 Lbs
- Base - 17,300 Lbs
- Total: 52,000 Lbs

- A Liquid Level: = 499 Gals/VF(42Gals/In)
- B Liquid Level: = 262.5 Gals/VF(22Gals/In)
- 4": "A" = 3,034 Gals
- "B" = 1,575 Gals
- 6": "A" = 2,994 Gals
- "B" = 1,554 Gals
- 4" PVC Inverts:
Inlet-81"
Outlet-78"
- 6" PVC Inverts:
Inlet-80"
Outlet-77"

General Notes:

1. Steel Reinforcement Conforms to Latest ASTM Specifications: ASTM-A615 Grade 60 Rebar
2. Concrete: $f_c = 5,000$ psi @ 28 Days Minimum
3. Flexible Sleeves Provided On All Pipe Connections
4. Butyl Rubber Joint Sealant Provided
5. Internal PVC Baffles Available Upon Request
- Inlet: Shall Penetrate at Least 9" Below the Liquid Level, But Not Deeper Than the Outlet Baffle.
- Outlet: Shall Extend Below the Surface of the Liquid Equal to 40% of the Liquid Depth (29").
6. Design Loading: AASHTO-HS20-44, ASTM C-890-06
7. Design Specified As: ASTM C-1227-08, ASTM C-913-08
8. Other Inlet/Outlet Pipe Sizes Available

Phoenix
Precast
Products

3000/1500 Gallon
H-20 Tank

P/N: ST-3000/1500H20

Concord, NH 03301

Phoenix Precast Products

Phoenix Precast Products