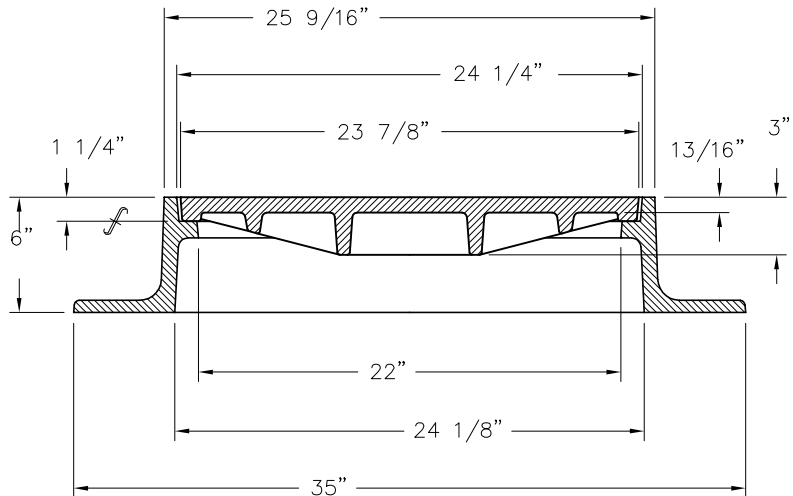
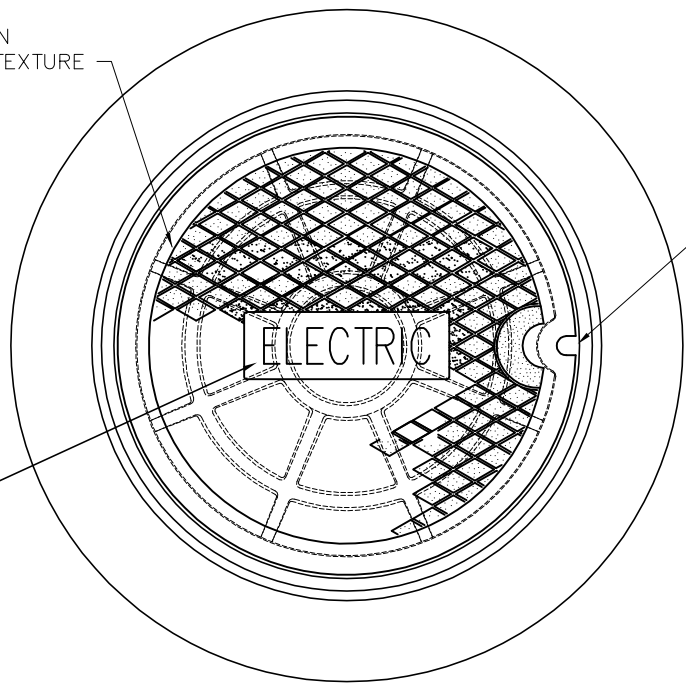


CHECKERED TOP DESIGN  
w/ PERMA-GRIP SURFACE TEXTURE

(1) 1" X 1" OPEN PICKHOLE

2" RAISED LETTERING  
FLUSH w/TOP SURFACE



**Est Weight:**

Frame:	175 Lbs
Lid :	145 Lbs
<b>Total:</b>	<b>320 Lbs</b>

**General Notes**

1. All Dimensions Shown are in English and [Metric]
2. Material: Cast Gray Iron ASTM A-48, Class 35B
3. Meets H20 Loading Requirements
4. Finish: No Paint

Phoenix  
Precast  
Products

Ø24" Frame and Lid  
Lettered "ELECTRIC"