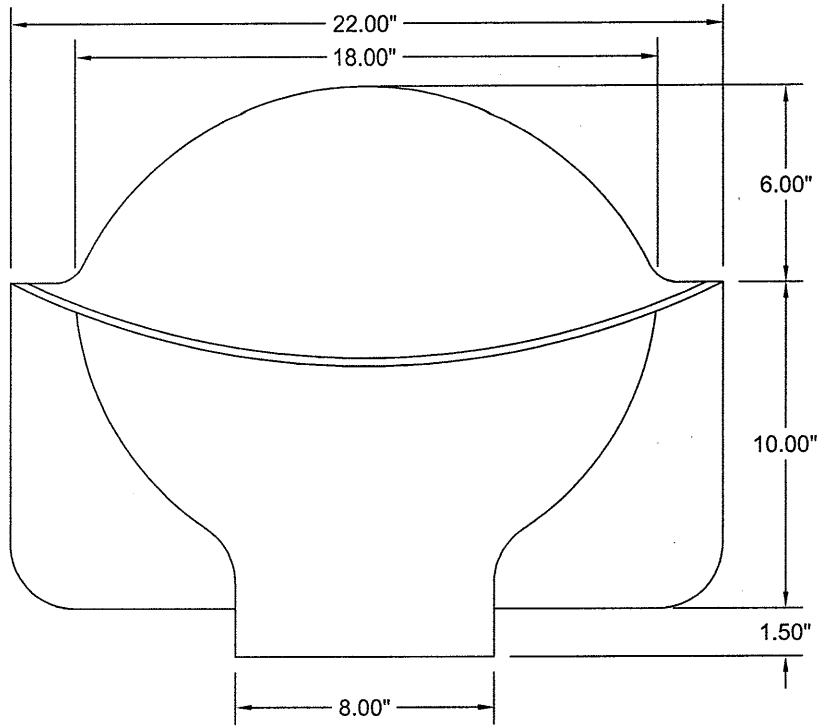
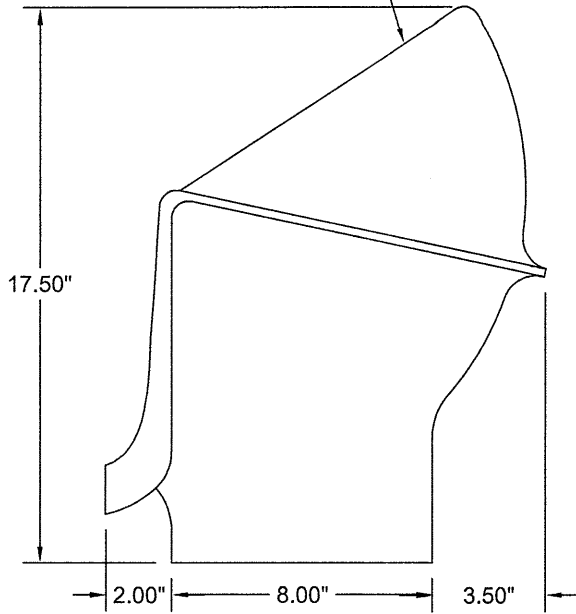
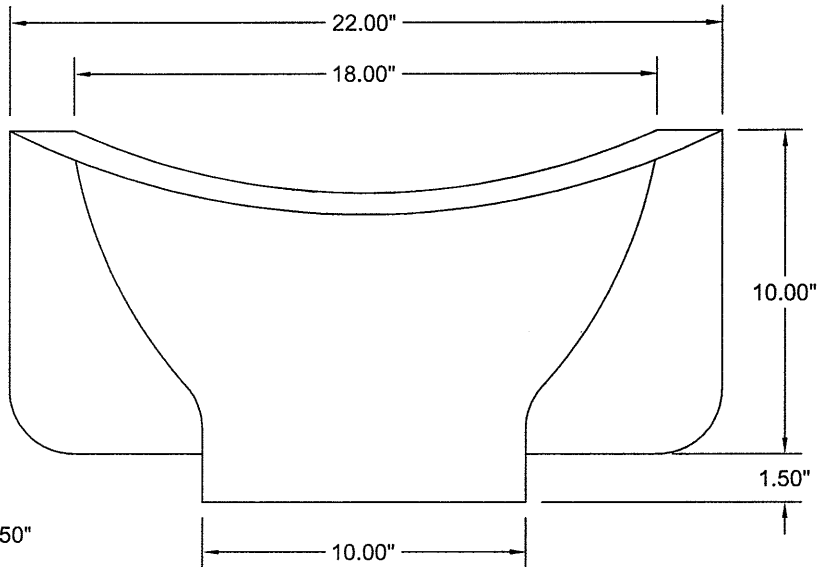
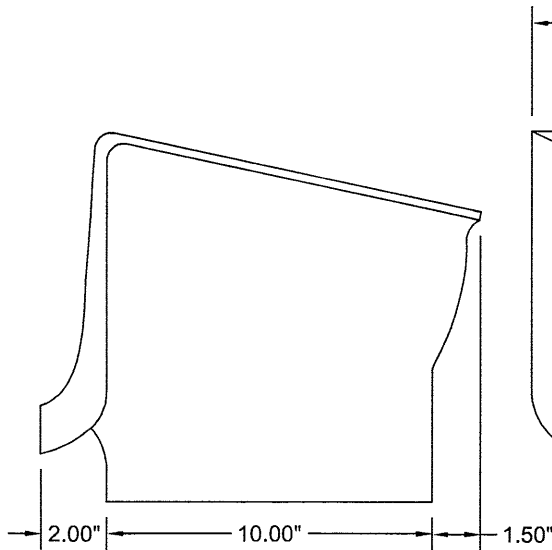


OPTIONAL HOOD
FOR "B" SERIES



"B-8" DROP BOWL



"B-10" DROP BOWL

(BOTH B-8 & B-10 SIZED TO FIT AROUND 12" CONCRETE PIPE INLET)

THE "B-8" BOWL WILL SERVICE UP THROUGH FULL 10" INLETS. THE "B-10" BOWL WILL SERVICE UP THROUGH FULL 12" INLET. CAN BE USED FOR 15" AND 16" INLET MODERATE FLOWS. ALL SIZES ARE FOR RETROFIT OR NEW CONSTRUCTION. FABRICATED IN MARINE GRADE FIBERGLASS AND FINISHED IN BRIGHT WHITE GEL COAT.

U.S. PAT. # 6074130
ADDITIONAL PATENTS PENDING

Phoenix Precast Products
Concord NH
1-800-639-2199

DESCRIPTION	DATE	SCALE
B-8 & B-10 DROP BOWLS	08/09/00	NONE
	DRAWING NUMBER BDB	