

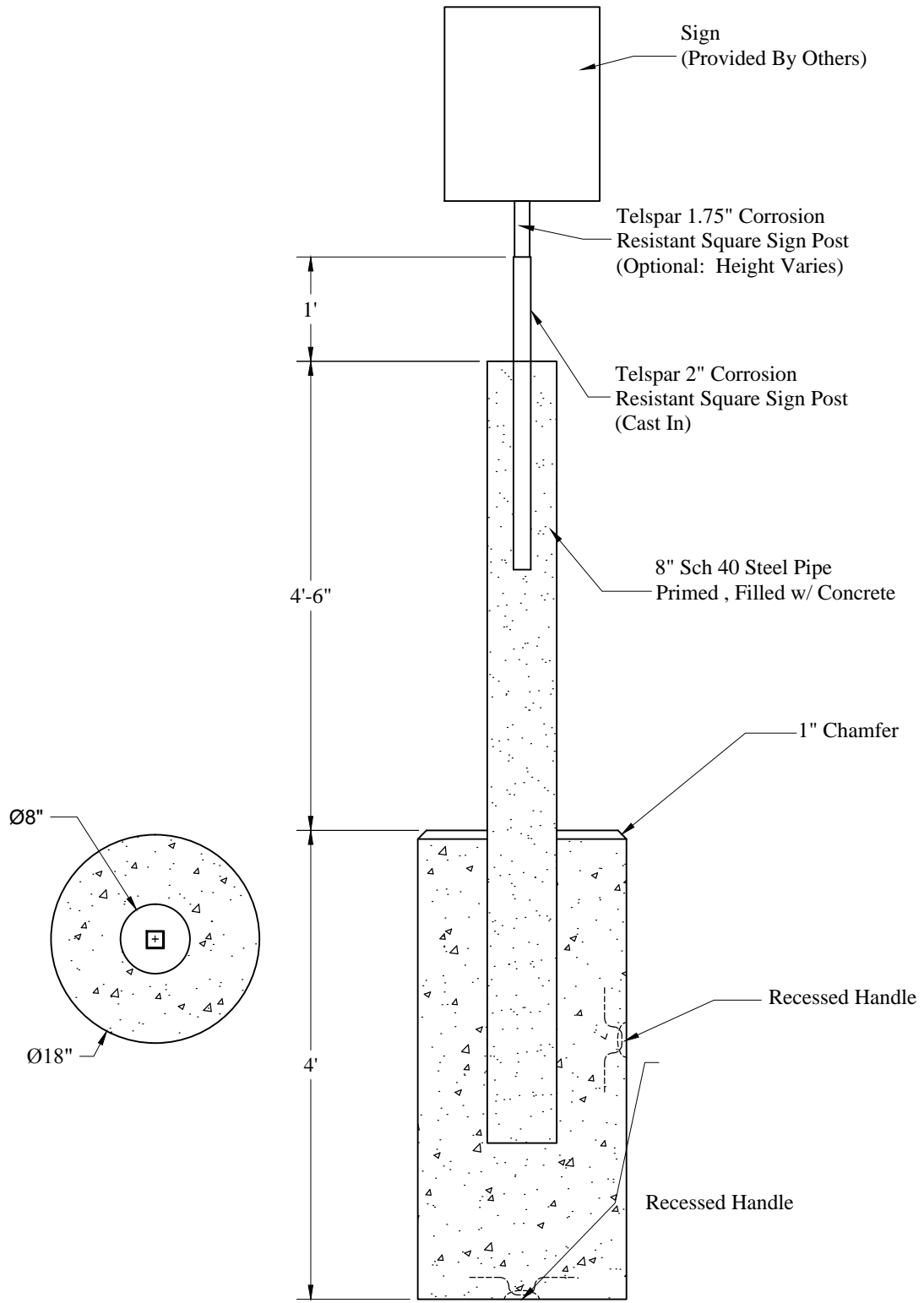
1-800-639-2199

Fax (603) 224-2927

Bollards\8 Inch Sign Bollard w Base Standard

Phoenix Precast Products

Phoenix Precast Products



General Notes

- 1.) Concrete: fc = 4,000 PSI @ 28 Days Minimum
- 2.) Weight: 1,250 Lbs

Phoenix Precast Products	8" Sign Bollard With Base - Standard
--------------------------------	---

P/N: SB-8SIGNBASE