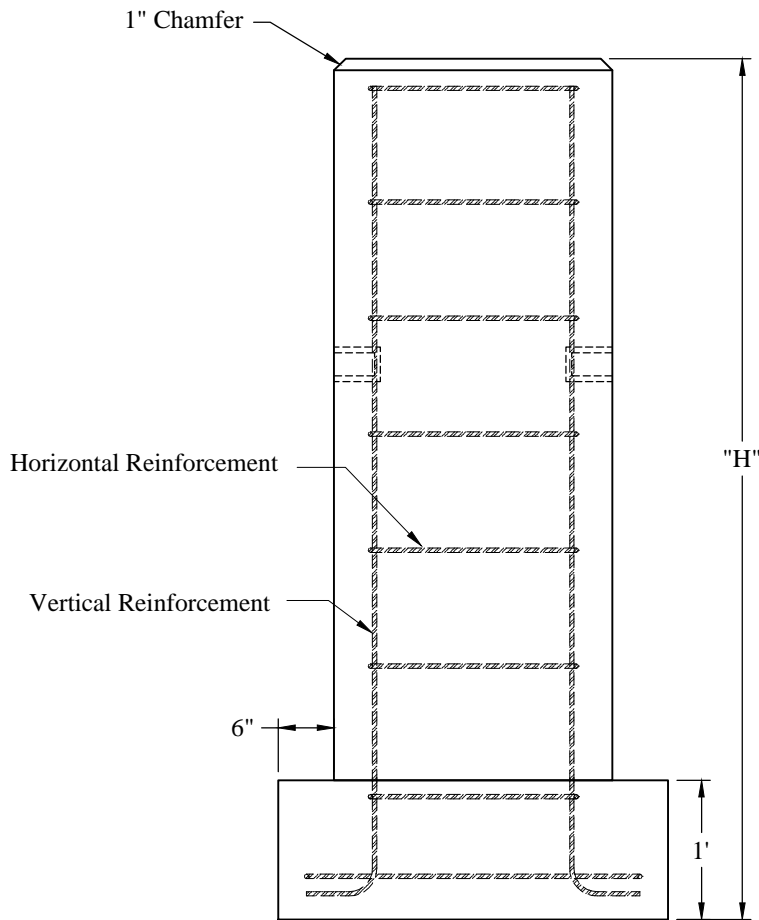
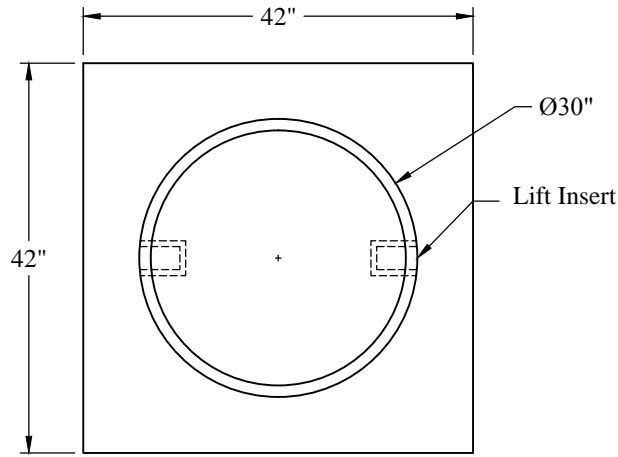


1-800-639-2199

Fax (603) 224-2927

Light Pole Bases\Piers\30 Inch Dia Pier with Footing (v)



Height	Weight	P/N:
5'	4,740 lbs	PIER-30R5F
6'	5,470 lbs	PIER-30R6F
7'	6,205 lbs	PIER-30R7F
8'	6,935 lbs	PIER-30R8F
9'	7,665 lbs	PIER-30R9F
10'	8,395 lbs	PIER-30R10F
11'	9,125 lbs	PIER-30R11F
12'	9,855 lbs	PIER-30R12F

General Notes

1. Concrete: $f_c = 4,000$ PSI @ 28 Days Minimum
2. Reinforcing Steel Conforms to Latest ASTM Specifications:
ASTM A615 Grade 60 Rebar Black Deformed Bars

Phoenix
Precast
Products

**30" Diameter Pier
With Footing**

Phoenix Precast Products

Phoenix Precast Products