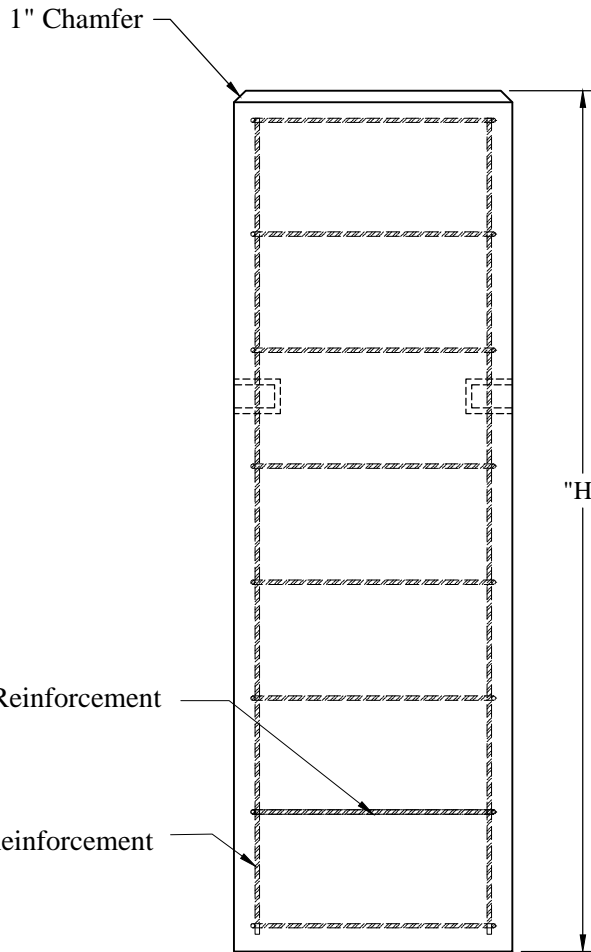
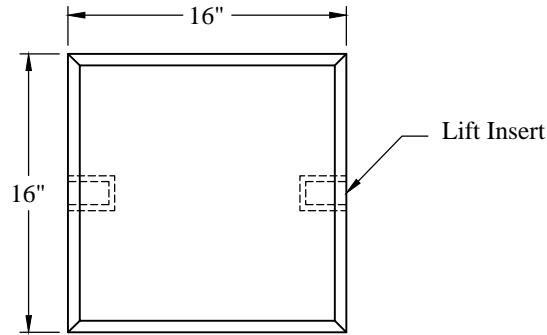


1-800-639-2199

Fax (603) 224-2927

Piers(Rectangular)\16 x 16 Inch Pier (v)



Height	Weight	P/N:
2'	530 lbs	PIER-16S2
3'	795 lbs	PIER-16S3
4'	1,060 lbs	PIER-16S4
5'	1,325 lbs	PIER-16S5
6'	1,590 lbs	PIER-16S6

General Notes

1. Concrete: $f_c = 4,000$ PSI @ 28 Days Minimum
2. Reinforcing Steel Conforms to Latest ASTM Specifications:
ASTM A615 Grade 60 Rebar Black Deformed Bars

Phoenix
Precast
Products

16" x 16"
Pier

Phoenix Precast Products

Phoenix Precast Products