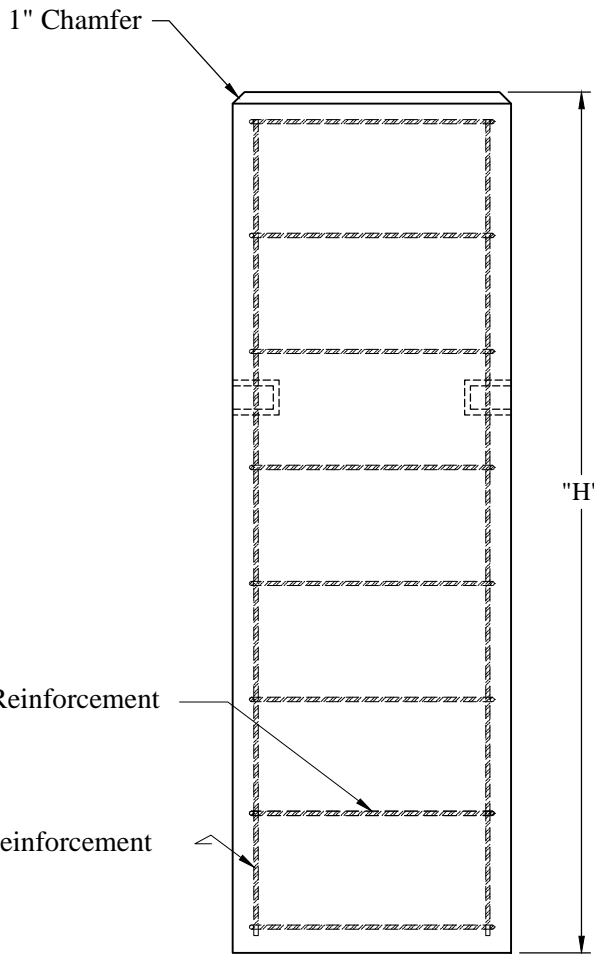
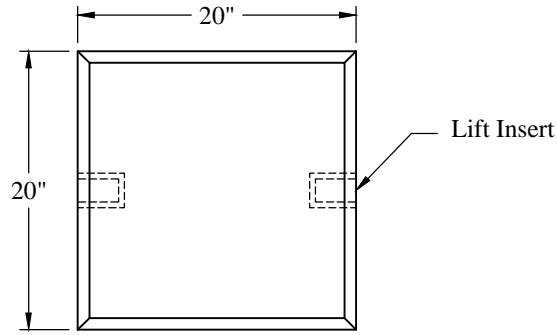


1-800-639-2199

Fax (603) 224-2927

Piers Rectangular 20 x 20 Inch Pier (v)



Horizontal Reinforcement

Vertical Reinforcement

Height	Weight	P/N:
3'-0"	1,245 lbs	PIER-20S3
3'-6"	1,450 lbs	PIER-20S3.5
4'-0"	1,660 lbs	PIER-20S4
4'-6"	1,865 lbs	PIER-20S4.5
5'-0"	2,075 lbs	PIER-20S5
5'-6"	2,280 lbs	PIER-20S5.5
6'-0"	2,490 lbs	PIER-20S6
6'-6"	2,695 lbs	PIER-20S6.5
7'-0"	2,905 lbs	PIER-20S7
7'-6"	3,110 lbs	PIER-20S7.5
8'-0"	3,320 lbs	PIER-20S8

General Notes

1. Concrete: $f_c = 4,000$ PSI @ 28 Days Minimum
2. Reinforcing Steel Conforms to Latest ASTM Specifications:
ASTM A615 Grade 60 Rebar Black Deformed Bars

Phoenix
Precast
Products

20" x 20"
Pier

Phoenix Precast Products

Phoenix Precast Products