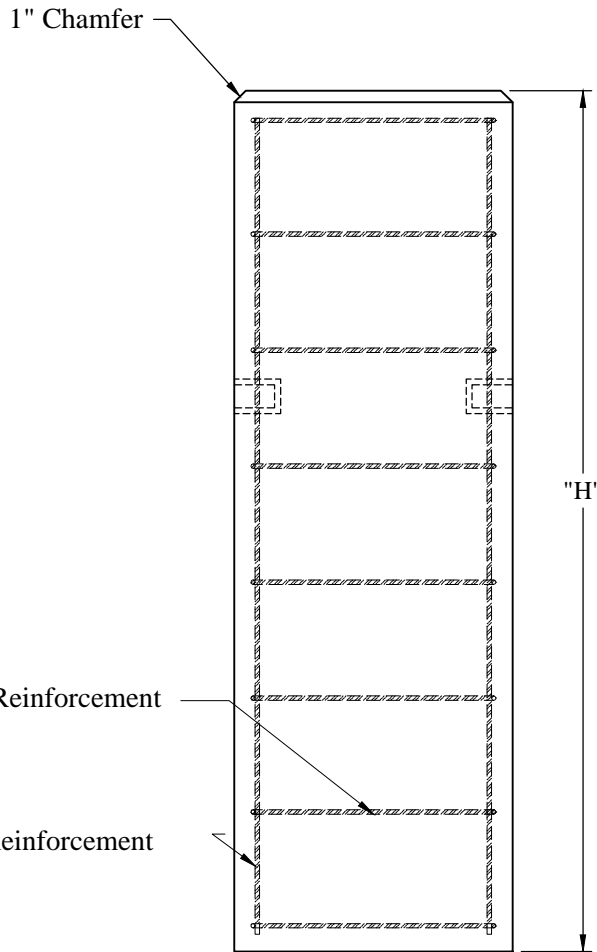
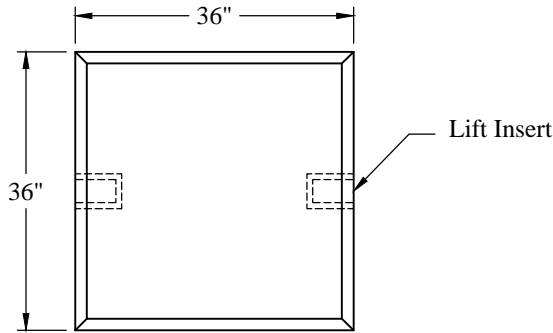


1-800-639-2199

Fax (603) 224-2927

Piers Rectangular\36 x 36 Inch Piers (v)



Height	Weight	P/N:
4'-0"	5,340 lbs	PIER-36S4
4'-6"	6,010 lbs	PIER-36S4.5
5'-0"	6,675 lbs	PIER-36S5
5'-6"	7,345 lbs	PIER-36S5.5
6'-0"	8,010 lbs	PIER-36S6
6'-6"	8,680 lbs	PIER-36S6.5
7'-0"	9,345 lbs	PIER-36S7
7'-6"	10,015 lbs	PIER-36S7.5
8'-0"	10,680 lbs	PIER-36S8
8'-6"	11,350 lbs	PIER-36S8.5
9'-0"	12,015 lbs	PIER-36S9
9'-6"	12,685 lbs	PIER-36S9.5
10'-0"	13,350 lbs	PIER-36S10
10'-6"	14,020 lbs	PIER-36S10.5
11'-0"	14,685 lbs	PIER-36S11

General Notes

1. Concrete: $f_c = 4,000$ PSI @ 28 Days Minimum
2. Reinforcing Steel Conforms to Latest ASTM Specifications:
ASTM A615 Grade 60 Rebar Black Deformed Bars

Phoenix
Precast
Products

36" x 36"
Pier

Phoenix Precast Products

Phoenix Precast Products