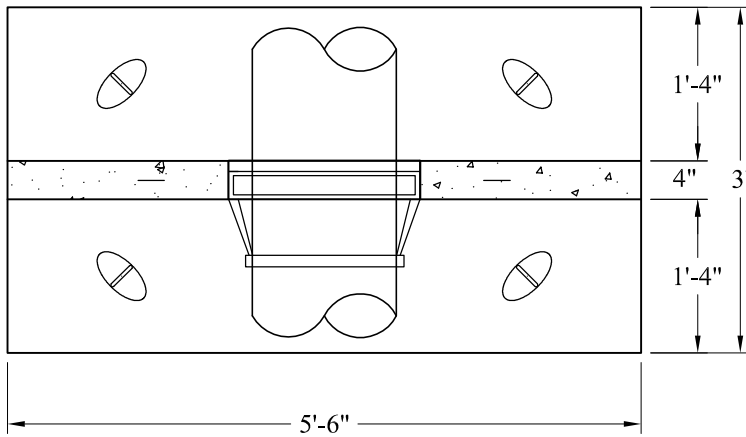


1-800-639-2199

Fax (603) 224-2927

Anti-Seep Collars/Phoenix Standard Anti Seep Collars w Base

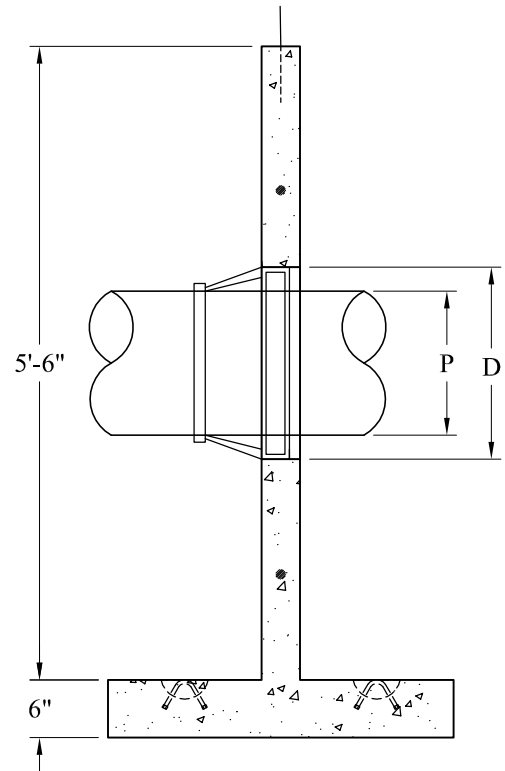
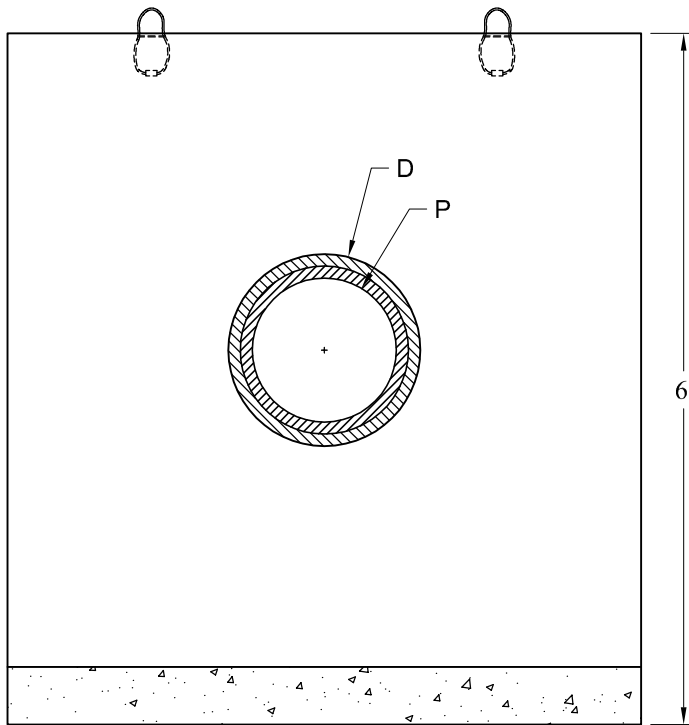
Recessed Handles 4 Places In Base



P Pipe	D Hole	Boot*	Weight
12" HDPE	20"	S106-20B Filler Strip	2,600 Lbs
12" RCP	20"	S106-20B	
15" HDPE	20"	S106-20WS Filler Strip	2,600 Lbs
15" RCP	22"	S206-22L	
18" HDPE	24"	S206-24L Filler Strip	2,550 Lbs
18" RCP	26"	S-206-26L	
24" HDPE	32"	S206-32 Filler Strip	2,425 Lbs
24" RCP	34"	S206-34	

\* Corrugated Pipe Requires a Matching Filler Strip

Phoenix Precast Products



Phoenix Precast Products

**General Notes**

1. Steel Reinforcement Conforms to Latest ASTM Specification: ASTM A-615 Grade 60 Black Deformed Bars
2. Concrete:  $f_c = 5,000$  psi @ 28 Days Minimum
3. Flexible Sleeve Provided for Pipe Opening

Phoenix  
Precast  
Products

Phoenix Standard  
Anti-Seep Collar  
With Base