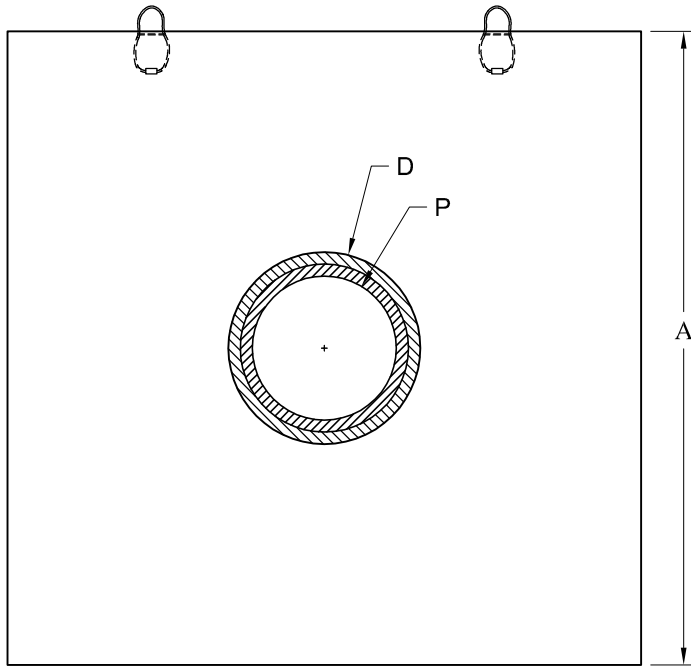
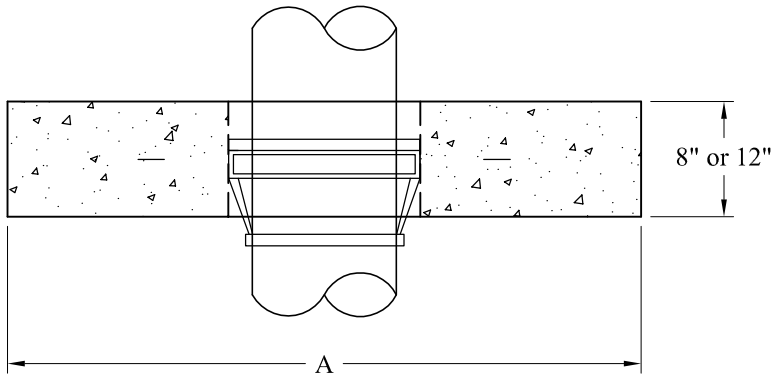


Recessed Handles 4 Places In Base



A	P Pipe	D Hole	Boot*	Weight (8" / 12")
5'-6"	12" HDPE	20"	S106-20B Filler Strip	2,785/ 4,160 Lbs
5'-6"	12" RCP	20"	S106-20B	
5'-10"	15" HDPE	20"	S106-20WS Filler Strip	3,150/ 4,700 Lbs
5'-10"	15" RCP	22"	S206-22L	
6'-0"	18" HDPE	24"	S206-24L Filler Strip	3,250/ 4,865 Lbs
6'-0"	18" RCP	26"	S-206-26L	
6'-6"	24" HDPE	32"	S206-32 Filler Strip	3,830/ 5,700 Lbs
6'-6"	24" RCP	34"	S206-34	

\* Corrugated Pipe Requires a Matching Filler Strip

**General Notes**

1. Steel Reinforcement Conforms to Latest ASTM Specification: ASTM A-615 Grade 60 Black Deformed Bars
2. Concrete:  $f_c = 5,000$  psi @ 28 Days Minimum
3. Flexible Sleeve Provided for Pipe Opening

Phoenix  
Precast  
Products

Phoenix Standard  
Anti-Seep Collar