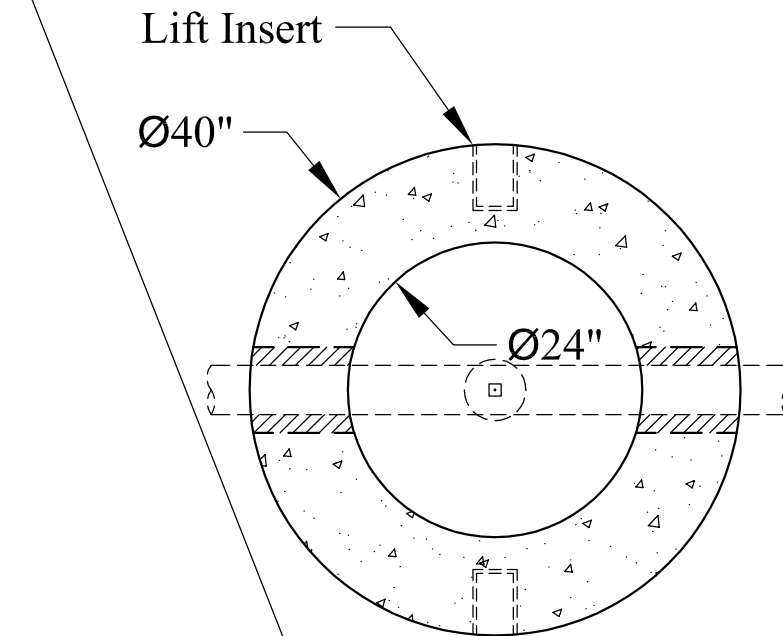
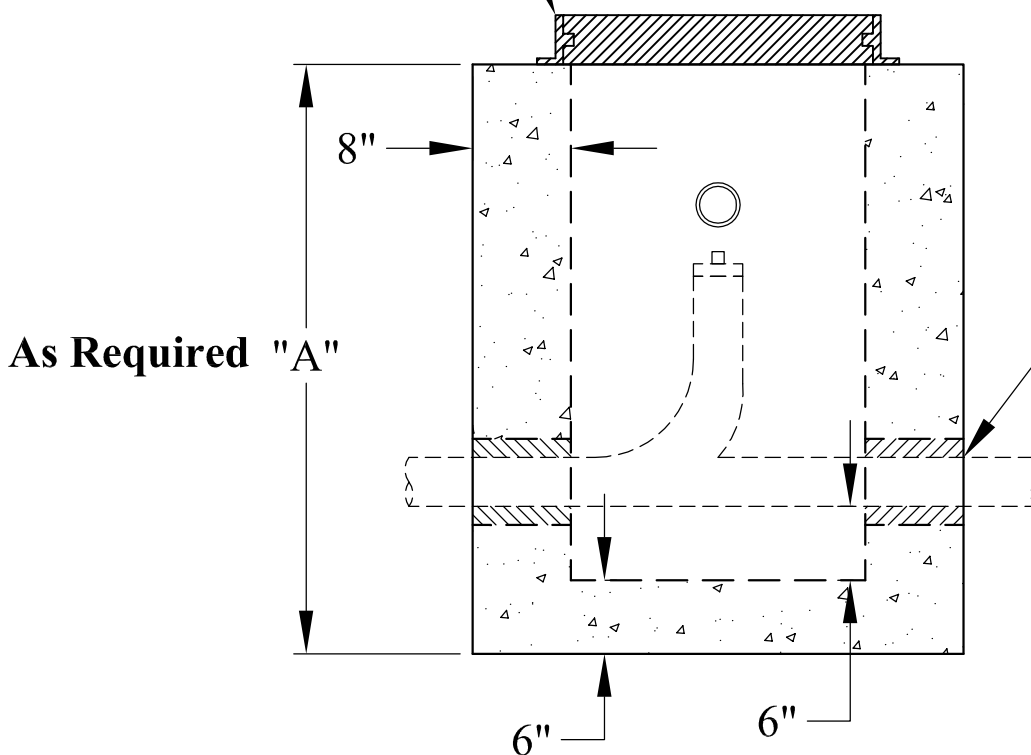


Cast-Iron Frame & Cover



Mortared or Booted Pipe Connection



General Notes

- 1.) Concrete: $f_c = 4,000$ psi @ 28 Days Minimum
- 2.) Design Loading: AASHTO-HS20-44
- 3.) Sump As Required

Phoenix
Precast
Products

2' Diameter
Clean Out Manhole