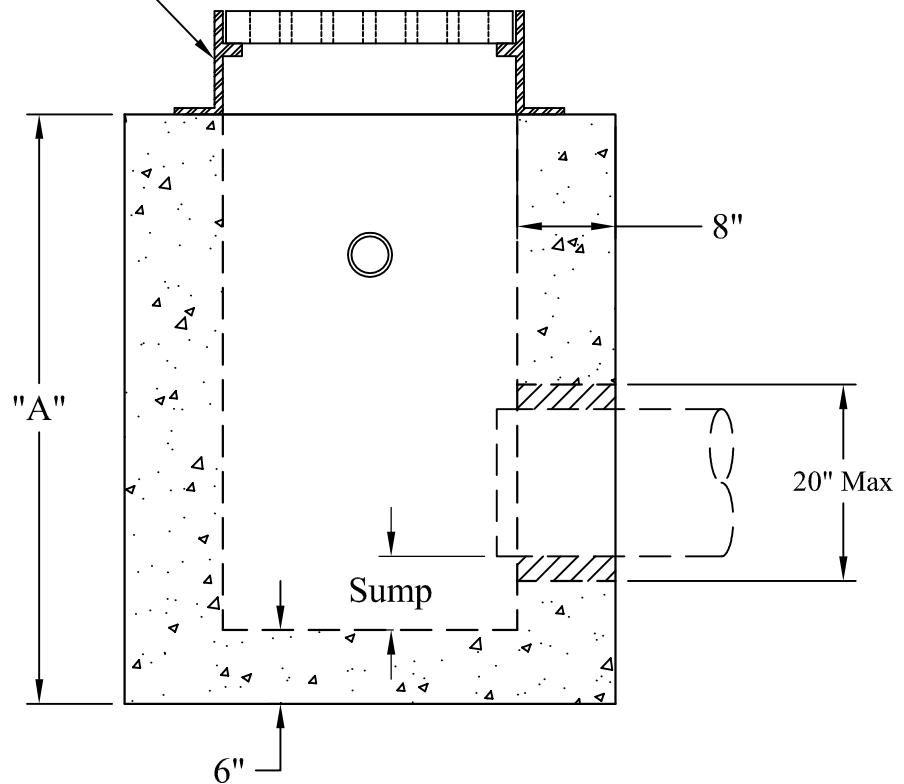


Optional  
24" x 24"  
Frame and Grate



Dim "A"	Est. Weight:
24"	1,880 Lbs
30"	2,290 Lbs
36"	2,700 Lbs
42"	3,110 Lbs
48"	3,520 Lbs
54"	3,930 Lbs
60"	4,343 Lbs

**General Notes**

- 1.) Concrete:  $f_c = 4,000$  psi @ 28 Days Minimum
- 2.) Design Loading: AASHTO-HS20-44
- 3.) Sump As Required

Phoenix  
Precast  
Products

**2' Diameter  
Drop Inlet Base**