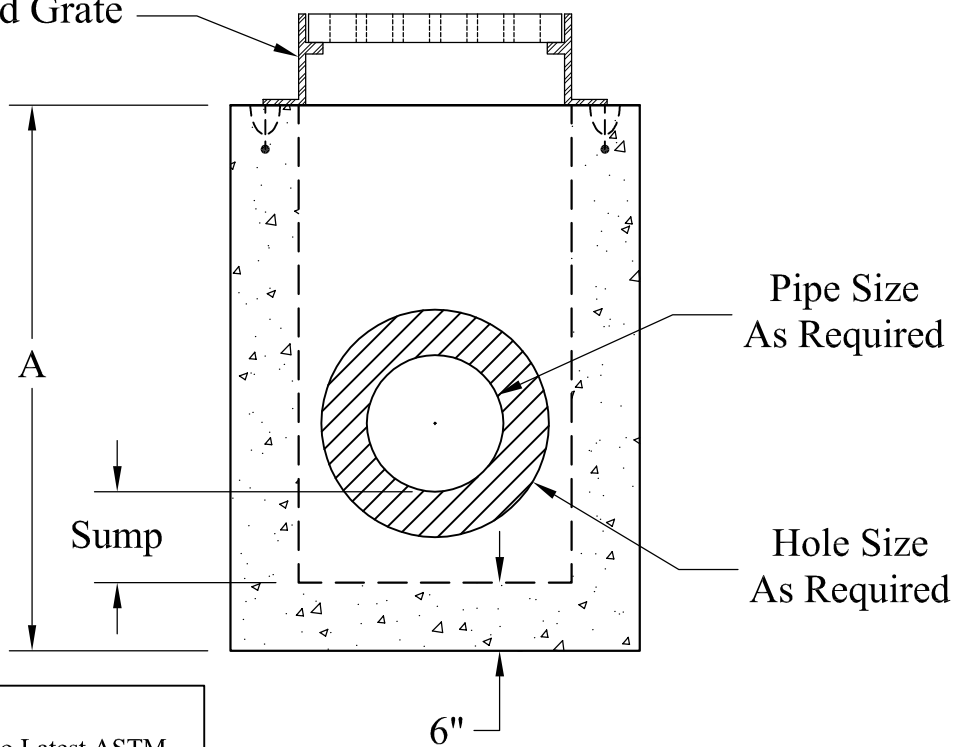


Optional
24" x 24"
Frame and Grate

Dim 'A'	Est. Weight:
24"	1,780 Lbs
36"	2,520 Lbs
48"	3,260 Lbs
60"	4,000 Lbs
72"	4,740 Lbs



General Notes

- 1.) Reinforcement Steel Conforms To Latest ASTM Specs ASTM A185 & ASTM A615 Grade 60
- 2.) Concrete: $f_c = 4,000$ psi @ 28 Days Minimum
- 3.) Design Loading: AASHTO-HS20-44
- 4.) Sump As Required
- 5.) Item Conforms to NH DOT Section 604

Phoenix
Precast
Products

2' Square
Drop Inlet