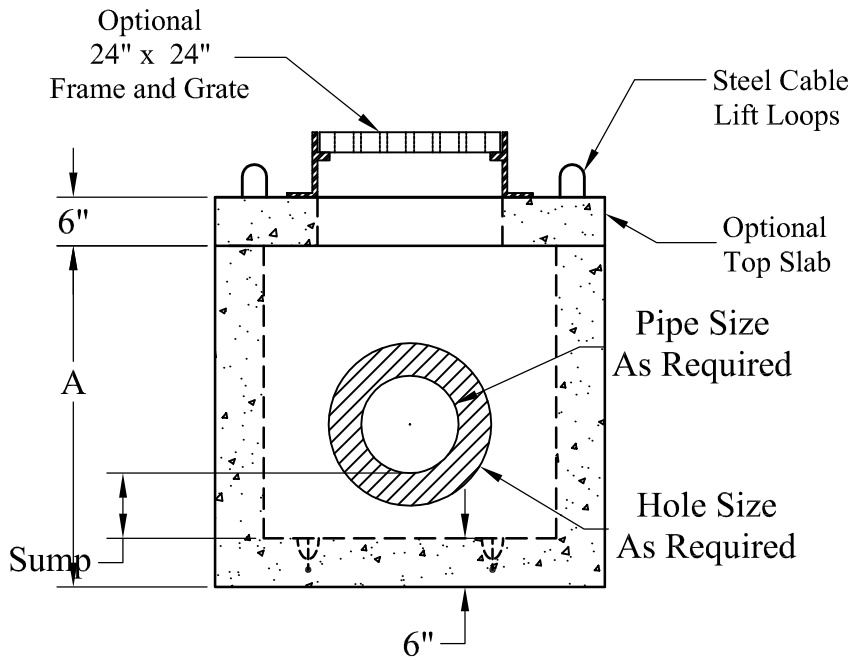


Top Slab
Est Weight: 1,185 Lbs

Dim 'A'	Est. Weight
24"	2,740 Lbs
30"	3,250 Lbs
36"	3,775 Lbs
42"	4,300 Lbs
48"	4,825 Lbs
54"	5,325 Lbs
60"	5,850 Lbs
66"	6,375 Lbs
72"	6,900 Lbs
78"	7,400 Lbs



General Notes

- 1.) Reinforcement Steel Conforms To Latest ASTM Specs ASTM A185 & ASTM A615 Grade 60
- 2.) Concrete: $f_c = 4,000$ psi @ 28 Days Minimum
- 3.) Design Loading: AASHTO-HS20-44
- 4.) Sump As Required

Phoenix
Precast
Products

**3' Square
Drop Inlet**