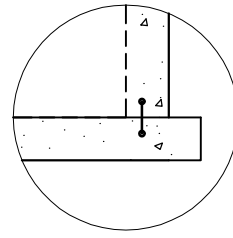
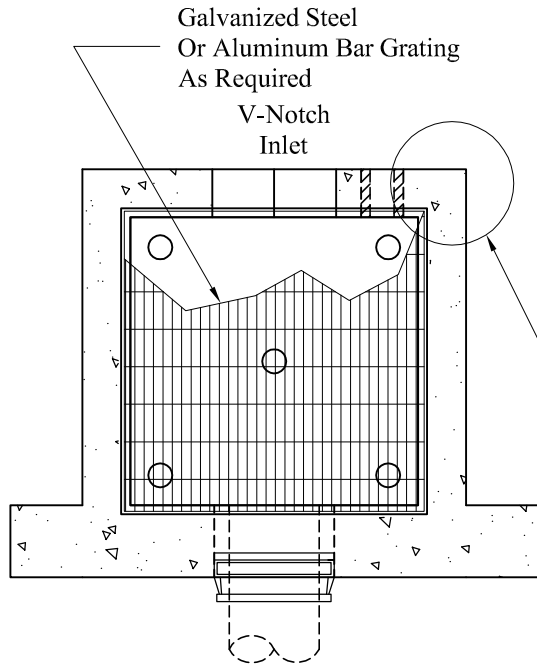


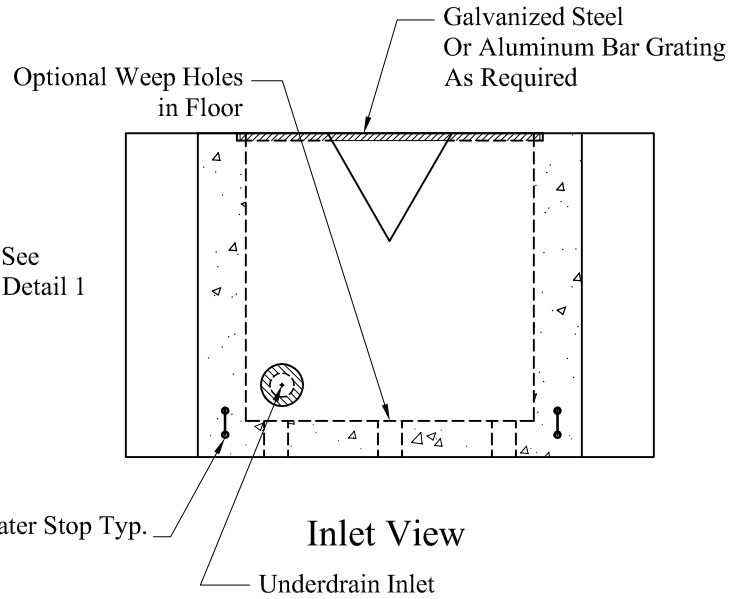
Detail 1  
Optional Anti-Flotation Collar



Detail 2  
Optional Anti-Flotation Collar

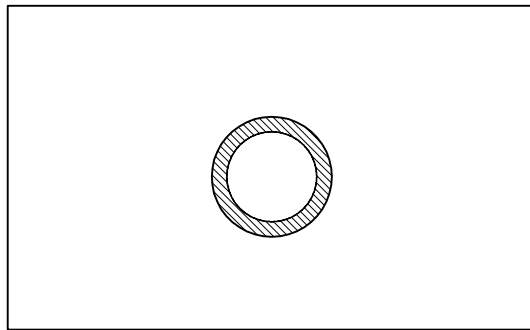


Plan View

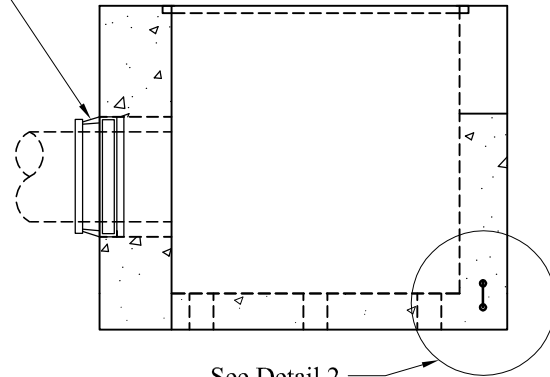


Inlet View

Optional Booted Pipe Connection



Outlet View



Side View

**General Notes**

1. Concrete:  $f_c = 5,000$  psi @ 28 Days Minimum, Type III Cement
2. Steel Reinforcing Conforms to Latest ASTM Specifications  
ASTM A-615 Grade 60 Rebar
3. Design Loading: AASHTO-HS20-44
4. Grates/Trash Racks Fastened with SS Hardware
5. Grates/Trash Racks Finish Options: Galvanized, Painted,  
Or Unfinished

Phoenix  
Precast  
Products

Combination Headwall-  
Outlet Control Structure