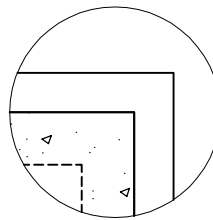
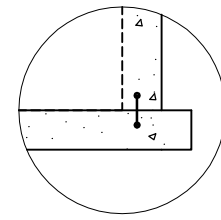


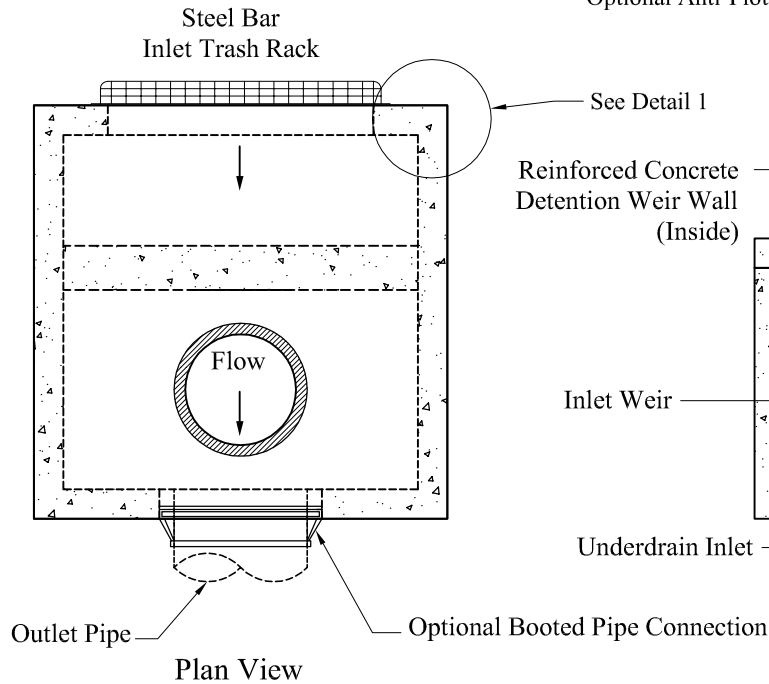
Steel Bar Inlet Trash Rack
(Finish Options: Galvanized, Painted, Unfinished)



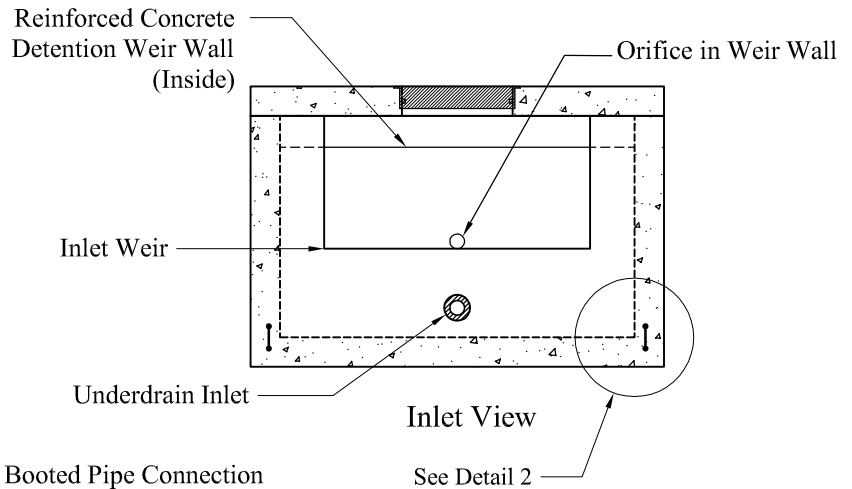
Detail 1
Optional Anti-Flotation Collar



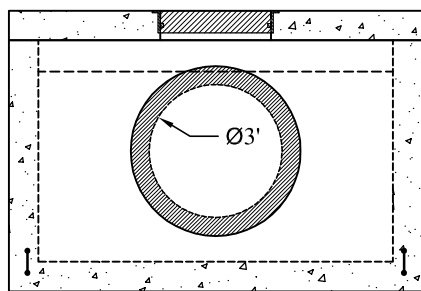
Detail 2
Optional Anti-Flotation Collar



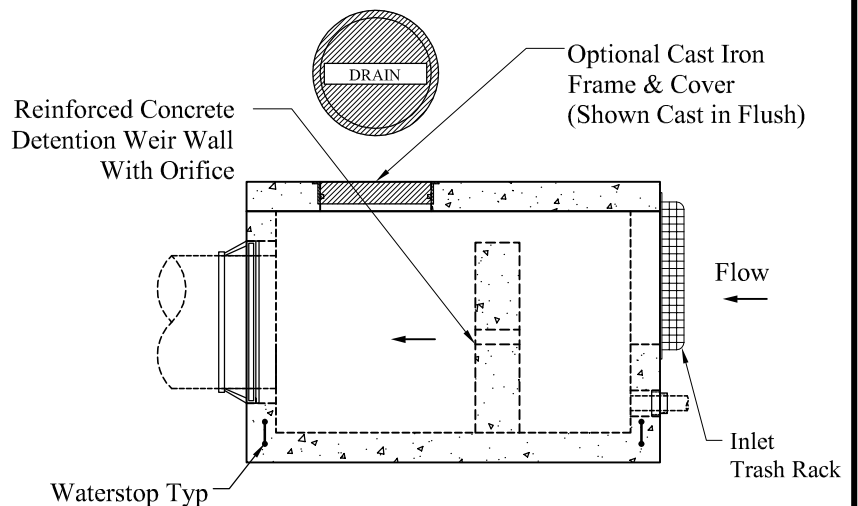
Plan View



Inlet View



Outlet View



Side View

General Notes

1. Concrete: $f_c = 5,000$ psi @ 28 Days Minimum, Type III Cement
2. Steel Reinforcing Conforms to Latest ASTM Specifications
ASTM A-615 Grade 60 Rebar
3. Design Loading: AASHTO-HS20-44
4. Grates/Trash Racks Fastened with SS Hardware
5. Grates/Trash Racks Finish Options: Galvanized, Painted,
Or Unfinished

Phoenix
Precast
Products

Custom Outlet Control
Structure With Detention
Weir Wall