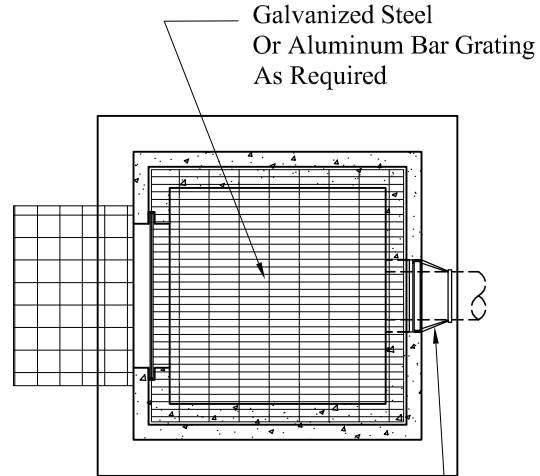
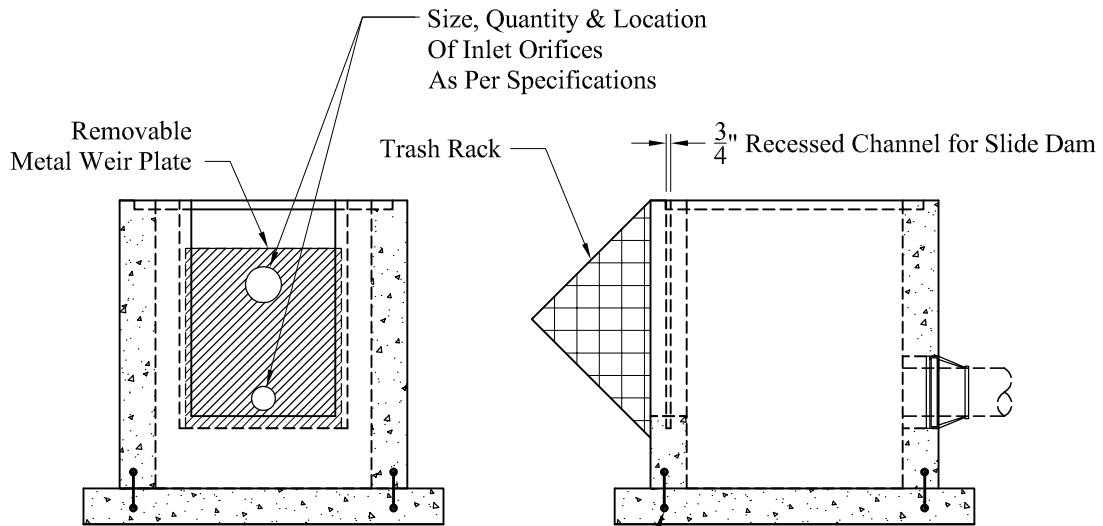


Outlet View



Plan View

Optional Booted
Outlet Pipe Connection



Inlet View

Side View

General Notes

1. Concrete: $f_c = 5,000$ psi @ 28 Days Minimum, Type III Cement
2. Steel Reinforcing Conforms to Latest ASTM Specifications
ASTM A-615 Grade 60 Rebar
3. Design Loading: AASHTO-HS20-44
4. Grates/Trash Racks Fastened with SS Hardware
5. Grates/Trash Racks Finish Options: Galvanized, Painted,
Or Unfinished

**Phoenix
Precast
Products**

Standard Outlet Control
Structure With Extended Base
And Slide-In Weir Plate