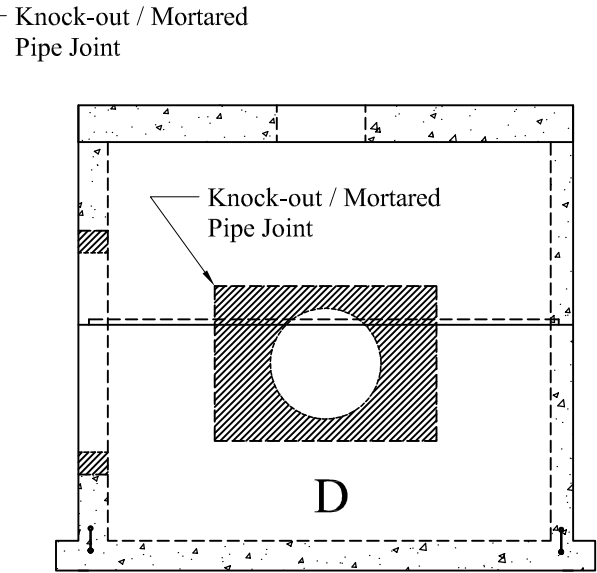
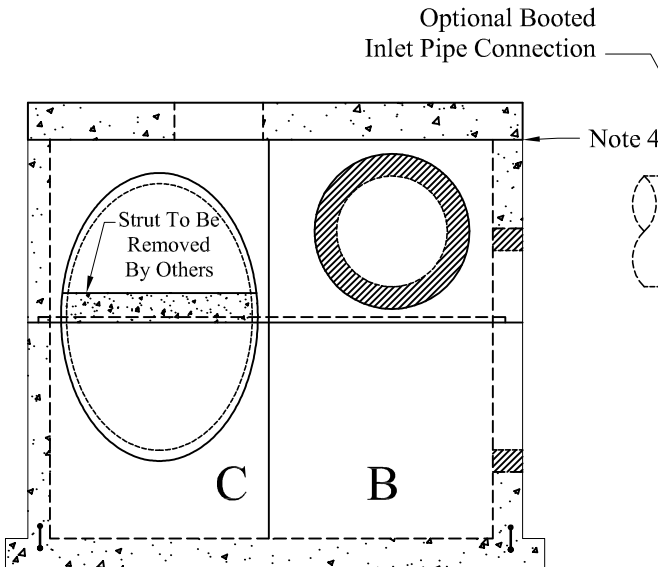


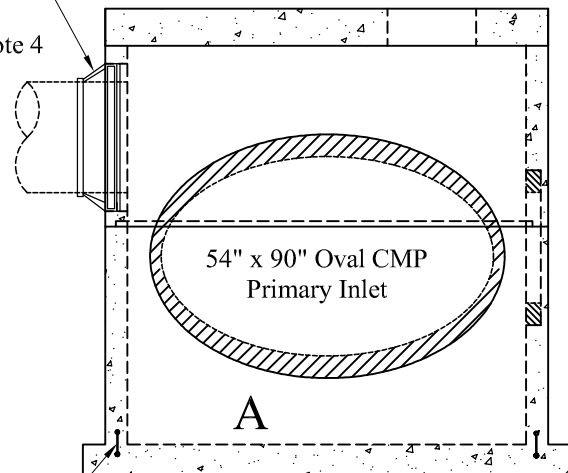
Plan View



Right Side View



Left Side View



Primary Inlet View

General Notes

1. Concrete: $f_c = 5,000$ psi @ 28 Days Minimum, Type III Cement
2. Steel Reinforcing Conforms to Latest ASTM Specifications
ASTM A-615 Grade 60 Rebar
3. Design Loading: AASHTO-HS20-44
Design Specified as ACI 318-08, AASHTO-1992
4. Butyl Rubber Joint Sealant Conforms to ASTM C-990
and Federal Spec SS-S-210A

**Phoenix
Precast
Products**

**Angled Structure For
Large Diameter Pipes**