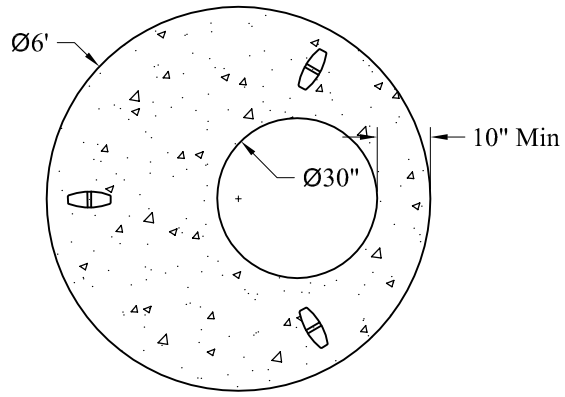
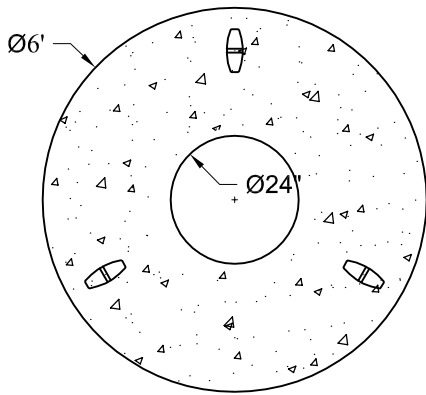


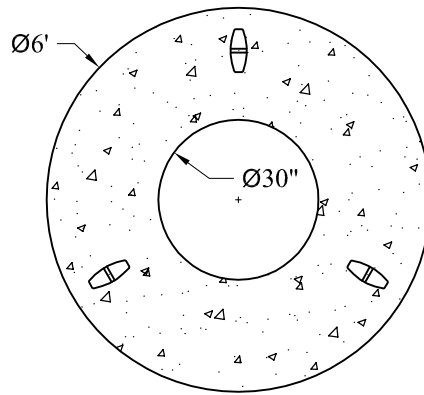
24" Offset Opening
Est Weight: 2,490 Lbs



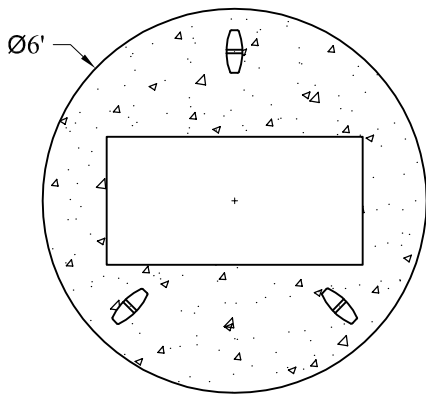
30" Offset Opening
Est Weight: 2,315 Lbs



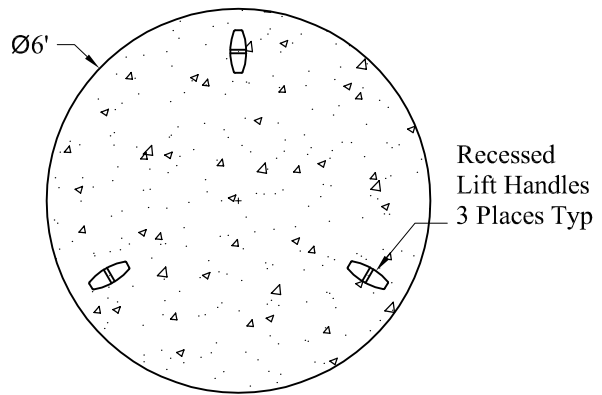
24" Centerline Opening
Est Weight: 2,490



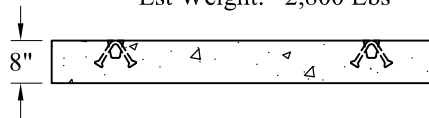
30" Centerline Opening
Est Weight: 2,315 Lbs



24" x 48" Opening
Est Weight: 2,010 Lbs



Solid (No Opening)
Est Weight: 2,800 Lbs



General Notes

1. Steel Reinforcement Conforms to Latest ASTM Specifications:
 ASTM-A615 Grade 60 Black Deformed Bars
 ASTM-A185 Welded Wire Fabric
2. Concrete: $f_c = 4,000$ psi @ 28 Days Minimum
3. Design Loading: AASHTO- HS20-44

Phoenix
Precast
Products

6' O.D. Dry Well
Cover