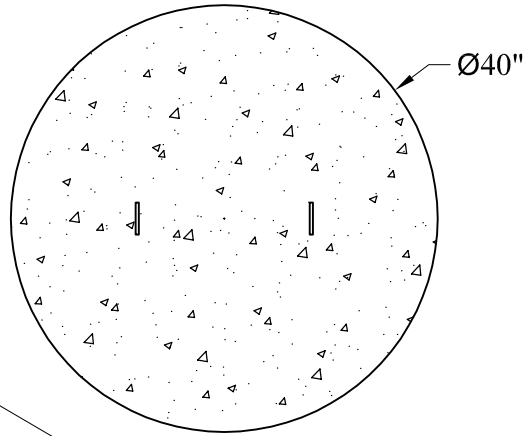
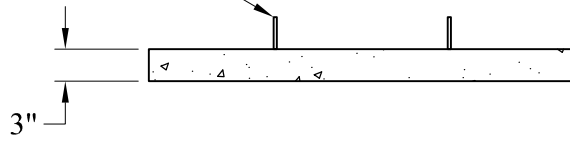


Top

P/N: CT-CR
Est Weight: 325 Lbs

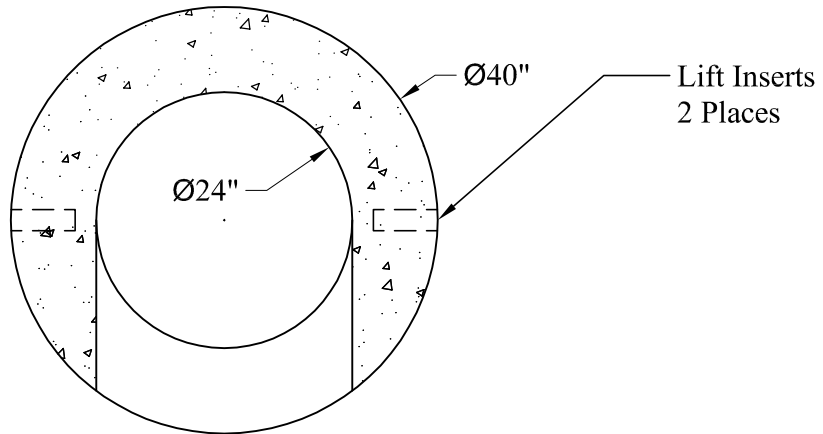


Steel Bar
Lift Handles
2 Places

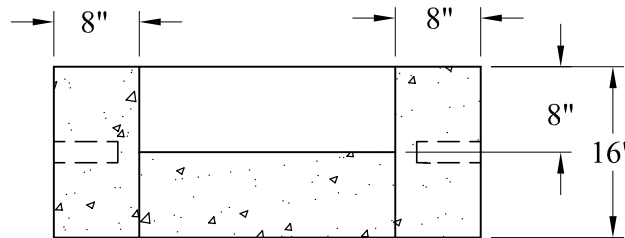


Base

Est Weight: 960 Lbs



Lift Inserts
2 Places



General Notes

1. Concrete: Fiber fc = 4,000 psi @ 28 Days Min
2. Not To Be Used In Areas With Vehicle Traffic
3. Est. Weight: 1,285 Lbs
4. Used On: NH DOT Type "C" Catch Basins Drop Inlets

Phoenix
Precast
Products

"C" Throat
One Inlet
Round Cap

P/N: CT-TSINGLE