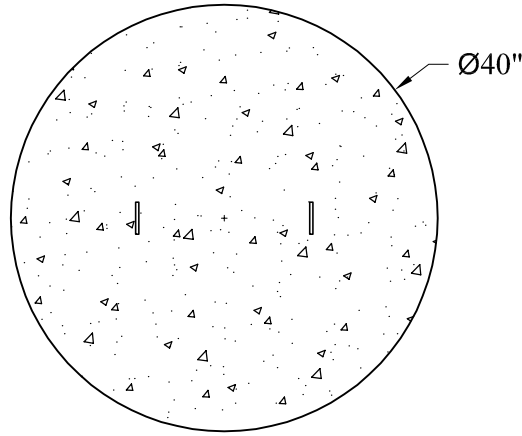
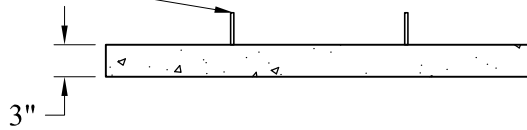


**Top**

P/N: CT-CR  
Est Weight: 325 Lbs

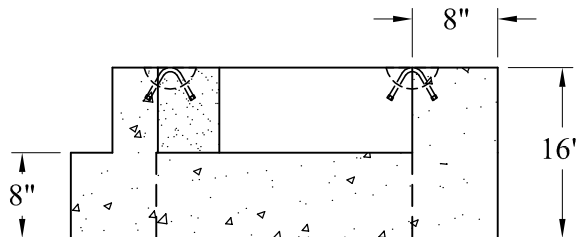
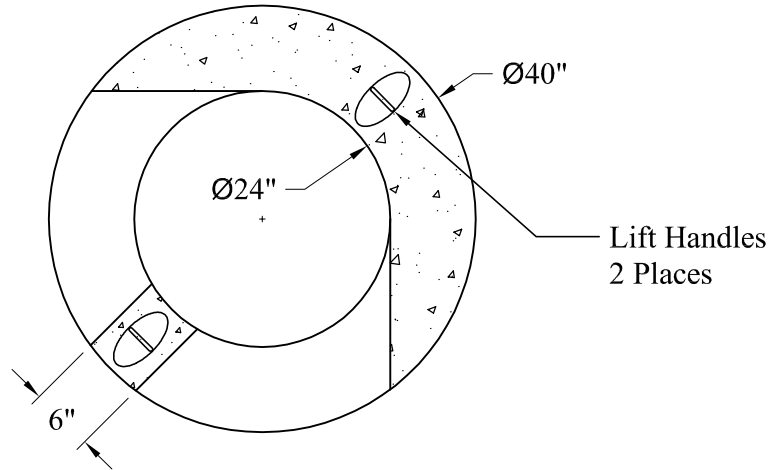


Steel Bar  
Lift Handles  
2 Places



**Base**

Est Weight: 850 Lbs



General Notes

1. Concrete: Fiber fc = 4,000 psi @ 28 Days Min
2. Not To Be Used In Areas With Vehicle Traffic
3. Est. Weight: 1,175 Lbs
4. Used On: NH DOT Type "C" Catch Basins Drop Inlets

Phoenix  
Precast  
Products

"C" Throat  
Right Angle  
Round Cap

P/N: CT-T90