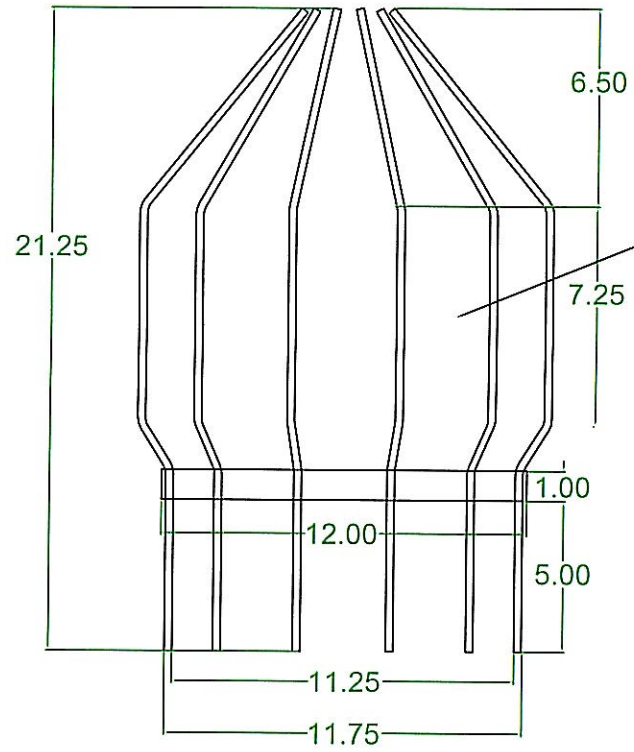


35 rods



some rods removed for clarity

**UNLESS OTHERWISE SPECIFIED**  
 ALL DIMENSIONS ARE IN INCHES

.X ±.06  
 .XX ±.03  
 .XXX ±.010  
 ANGLES ±2°

BREAK ALL SHARP CORNERS

ALL INFORMATION CONTAINED IN THIS DOCUMENT IS PROPRIETARY TO AGRI DRAIN CORP. DUPLICATION OR TRANSMITTAL OF THIS DOCUMENT IS STRICTLY PROHIBITED WITHOUT THE WRITTEN CONSENT OF AGRI DRAIN CORP.

ITEM	QTY	ITEM DESCRIPTION	PART NO.
		<b>Agri Drain CORPORATION</b> <i>America's Most Complete Supplier of Water Management Products</i>	
P.O. Box 458 - 1462 340th St - Adair, IA 50002 - Ph: 1-800-232-4742 - Fax 1-800-282-3353 - www.agridrain.com			
TITLE <b>12" BAR GUARD</b>			
DATE: 19 MAY 09	DRAWN BY: J MOORE	PART NO. BG12	REV.