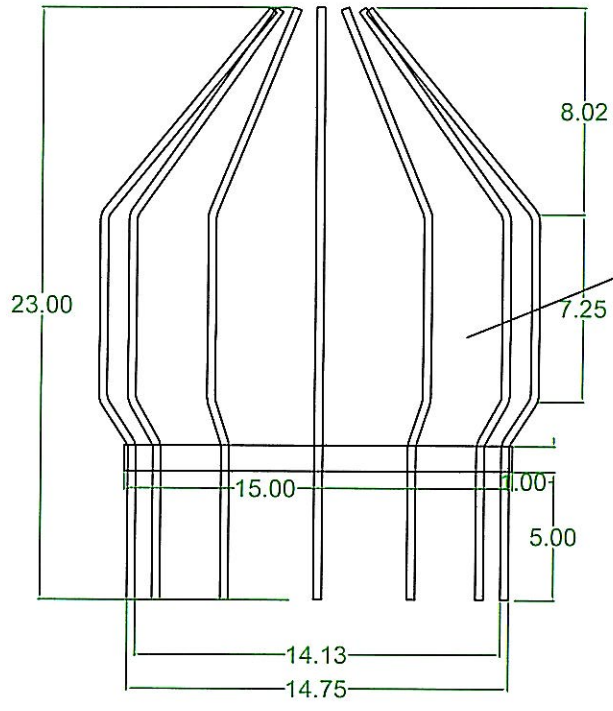


36 rods



some rods removed for clarity

UNLESS OTHERWISE SPECIFIED
ALL DIMENSIONS ARE IN INCHES.

.X ±.06
.XX ±.03
.XXX ±.010
ANGLES ±2°

BREAK ALL SHARP CORNERS

ALL INFORMATION CONTAINED IN THIS DOCUMENT IS PROPRIETARY TO AGRI DRAIN CORP. DUPLICATION OR TRANSMITTAL OF THIS DOCUMENT IS STRICTLY PROHIBITED WITHOUT THE WRITTEN CONSENT OF AGRI DRAIN CORP.

ITEM	QTY	ITEM DESCRIPTION	PART NO.
		Agri Drain CORPORATION <i>America's Most Complete Supplier of Water Management Products</i> <small>P.O. Box 458 - 1462 340th St. - Adair, IA 50002 - Ph: 1-800-232-4742 - Fax 1-800-282-3353 - www.agridrain.com</small>	
		TITLE 15" BAR GUARD	
DATE: 20 MAY 09	DRAWN BY: J MOORE	PART NO. BG15	REV.