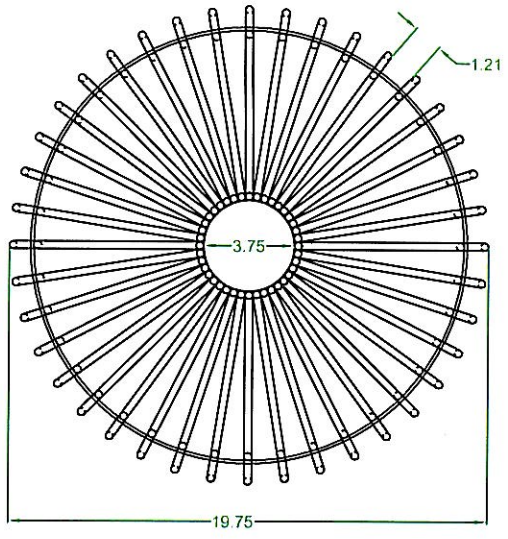
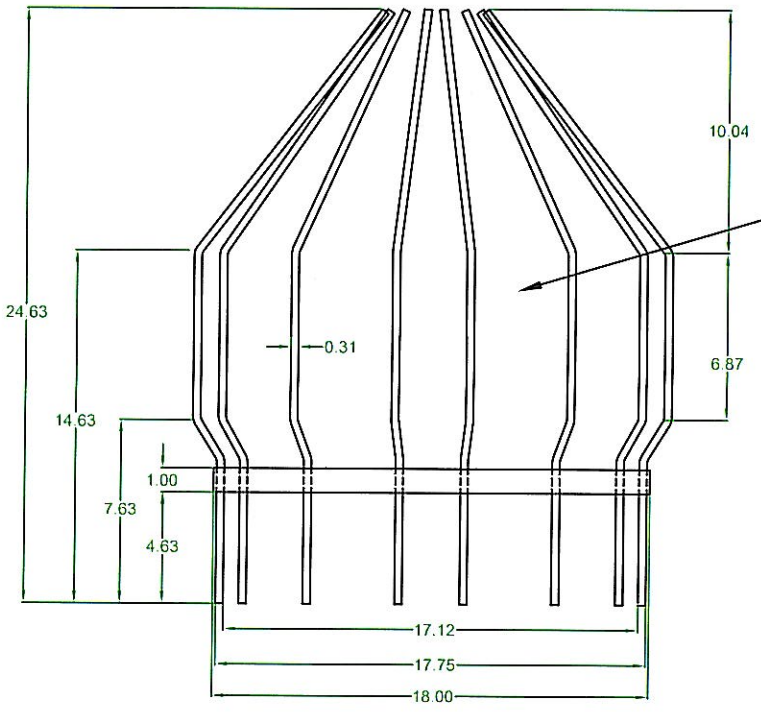


PART NO. BG18    REV.    CO. AGRI DRAIN CORP    MATERIAL: 1008 COLD ROLLED

REVISIONS			
REV	DESCRIPTION	DATE	BY



40 RODS



SOME RODS REMOVED FOR CLARITY

UNLESS OTHERWISE SPECIFIED  
ALL DIMENSIONS ARE IN INCHES

.X ±.06  
.XX ±.03  
.XXX ±.010  
ANGLES ±2°

BREAK ALL SHARP CORNERS

ALL INFORMATION CONTAINED IN THIS DOCUMENT IS PROPRIETARY TO AGRI DRAIN CORP. DUPLICATION OR TRANSMITTAL OF THIS DOCUMENT IS STRICTLY PROHIBITED WITHOUT THE WRITTEN CONSENT OF AGRI DRAIN CORP.

ITEM	QTY	ITEM DESCRIPTION	PART NO.
		<h1>Agri Drain CORPORATION</h1> <p><i>America's Most Complete Supplier of Water Management Products</i></p> <p>P.O. Box 458 - 1462 340th St. - Adair, IA 50002 - Ph: 1-800-232-4742 - Fax 1-800-282-3353 - www.agridrain.com</p>	
		<p>TITLE</p> <h2>BG18</h2>	
DATE:04MAR10	DRAWN BY: J. MOORE	PART NO. BG18	REV.