

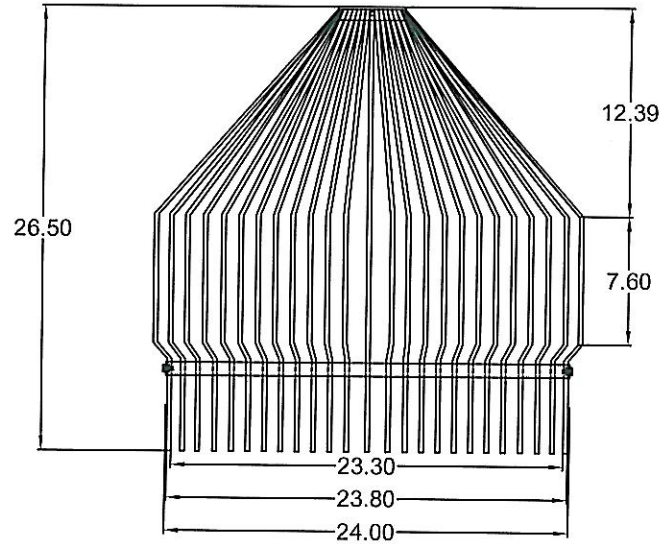
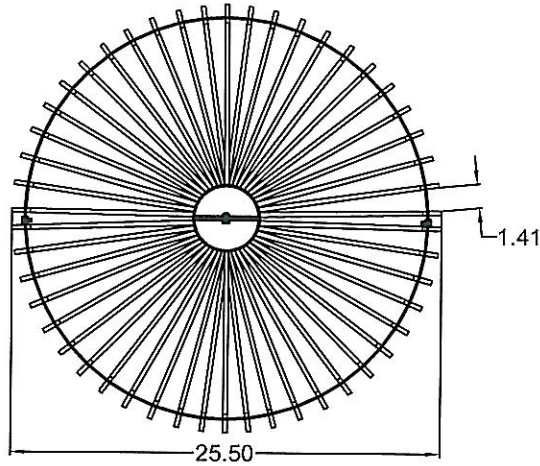
PART NO. BG24

REV.

CO. AGRI DRAIN CORP

MATERIAL: 1008 COLD ROLLED

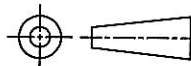
REVISIONS			
REV	DESCRIPTION	DATE	BY



UNLESS OTHERWISE SPECIFIED

ALL DIMENSIONS ARE IN INCHES

- .X ±.06
- .XX ±.03
- .XXX ±.010
- ANGLES ±2°



BREAK ALL SHARP CORNERS

ALL INFORMATION CONTAINED IN THIS DOCUMENT IS PROPRIETARY TO AGRI DRAIN CORP. DUPLICATION OR TRANSMITTAL OF THIS DOCUMENT IS STRICTLY PROHIBITED WITHOUT THE WRITTEN CONSENT OF AGRI DRAIN CORP.

ITEM	QTY	ITEM DESCRIPTION	PART NO.
------	-----	------------------	----------

Agri Drain CORPORATION

America's Most Complete Supplier of Water Management Products

P. O. Box 458 - 1462 340th St. - Adair, IA 50002 - Ph: 1-800-232-4742 - Fax 1-800-282-3353 - www.agridrain.com

TITLE
24 INCH BAR GUARD

DATE: 28AUG03	DRAWN BY: T. HUSS	PART NO. BG24	REV.
---------------	-------------------	---------------	------