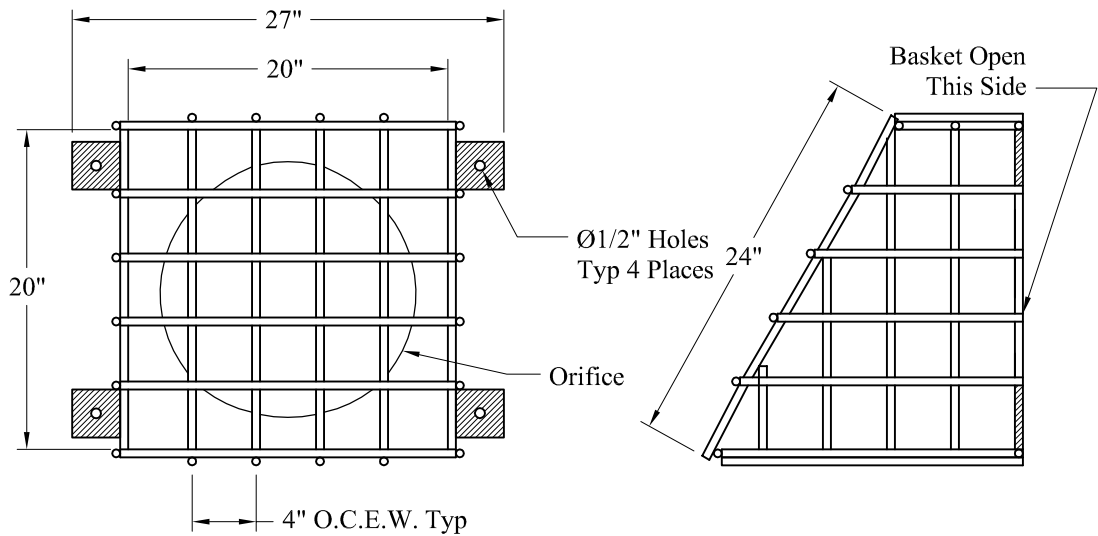


Top View



Front View

Side View

General Notes

1. Materials:
3" x 3" x 1/4" Flat Steel Bar
1/2" Dia HR Round Steel Bars @ 4" O.C.E.W.
2. Finish Options:
A. Unfinished
B. Painted
C. Hot Dip Galvanized
3. Fastening Method:
Bolted With 3/8" Dia Stainless Steel Concrete Anchors
4. Est Weight: 55 Lbs

Note:

4" x 4" Pattern is
Continued on Underside

**Phoenix
Precast
Products**

**Flat Wall Trash Rack
Angled 20" x 20"**

P/N:

Concord, NH 03301