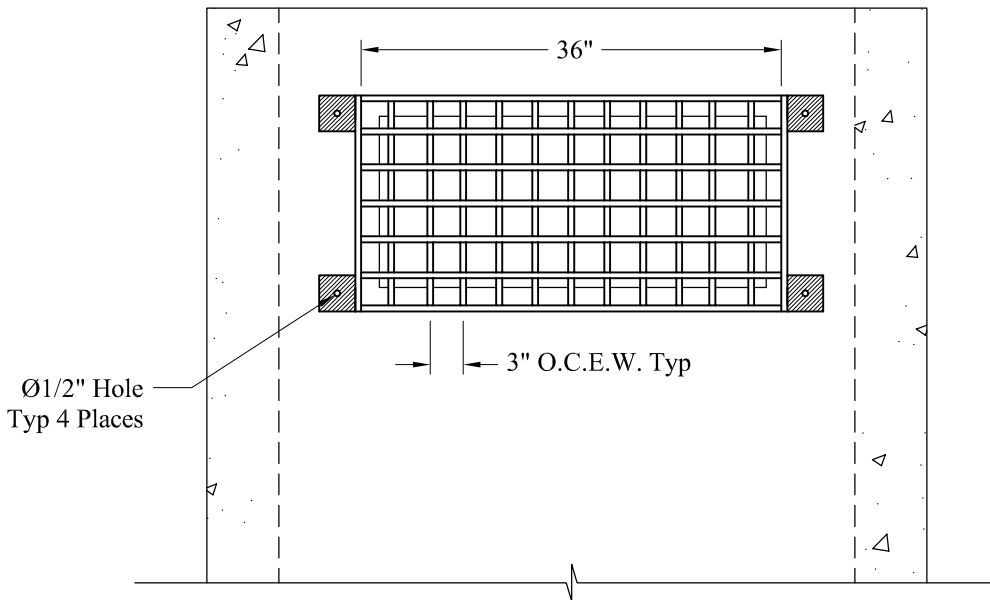


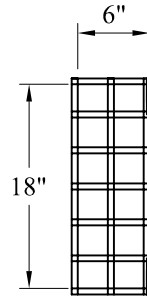
Stainless Steel Ø3/8"
Concrete Anchor



Ø1/2" Hole
Typ 4 Places

36"

3" O.C.E.W. Typ



18"

6"

Basket Open
This Side

General Notes

1. Materials:
 - 3" x 3" x 1/4" Flat Steel Bar
 - 1/2" Dia HR Round Steel Bars @ 3" O.C.E.W.
2. Finish Options:
 - A. Unfinished
 - B. Painted
 - C. Hot Dip Galvanized
3. Fastening Method:
 - Bolted With 3/8" Dia Stainless Steel Concrete Anchors
4. Est Weight: 55 Lbs

Phoenix
Precast
Products

Flat Wall Trash Rack
18" x 36" x 6"

P/N: