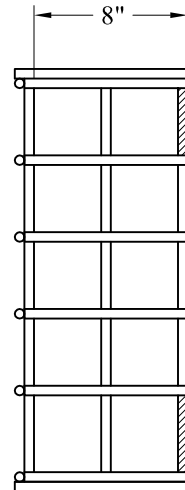
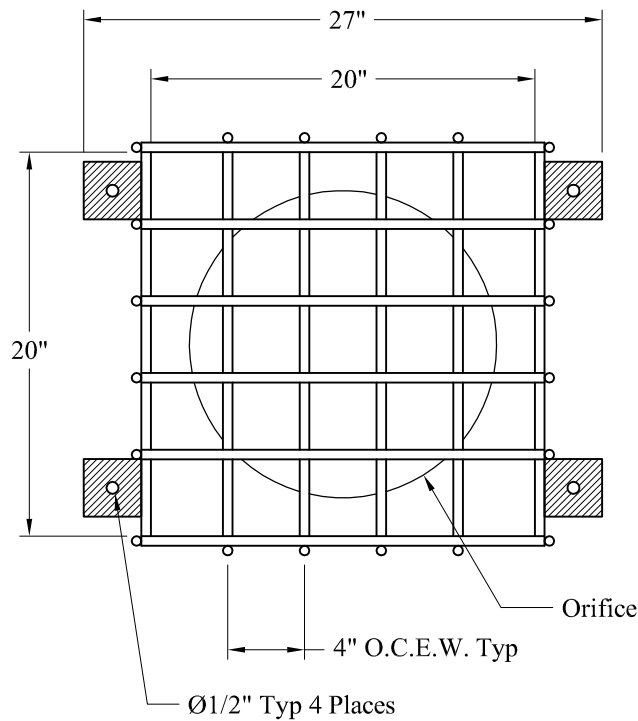
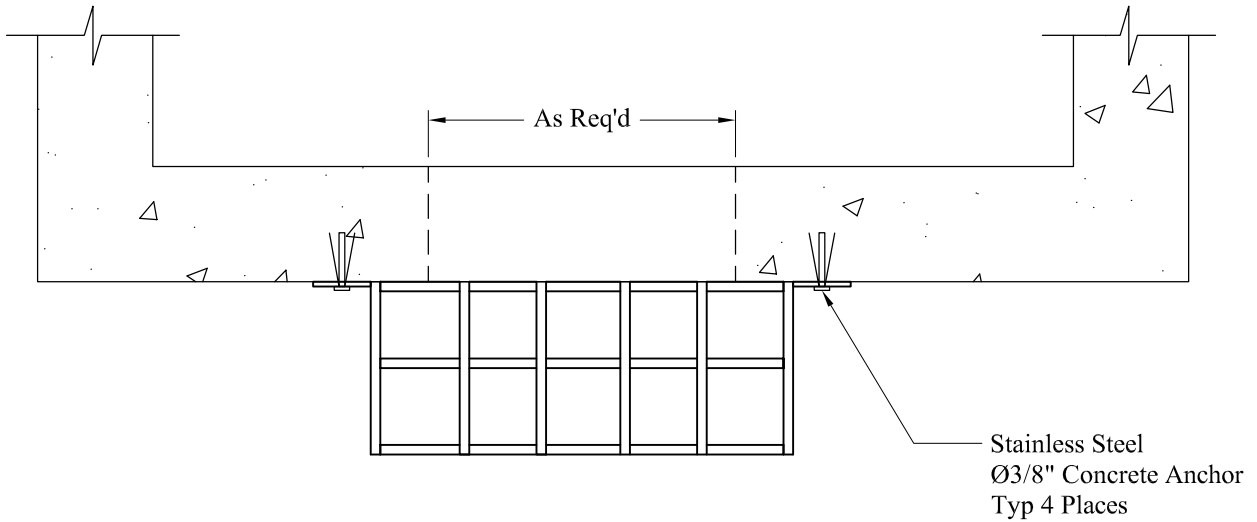


1-800-639-2199

Fax (603) 224-2927

Trash Racks\Flat Structures\Flat Wall Trash Rack 20 x 20 x 8 (v)



Phoenix Precast Products

Phoenix Precast Products

**General Notes**

1. Materials:
  - 3" x 3" x 1/4" Flat Steel Bar
  - 1/2" Dia HR Round Steel Bars @ 4" O.C.E.W.
2. Finish Options:
  - A. Unfinished
  - B. Painted
  - C. Hot Dip Galvanized
3. Fastening Method:
  - Bolted With 3/8" Dia Stainless Steel Concrete Anchors
4. Est Weight: 55 Lbs

Phoenix  
Precast  
Products

Flat Wall Trash Rack  
20" x 20" x 8"

P/N: