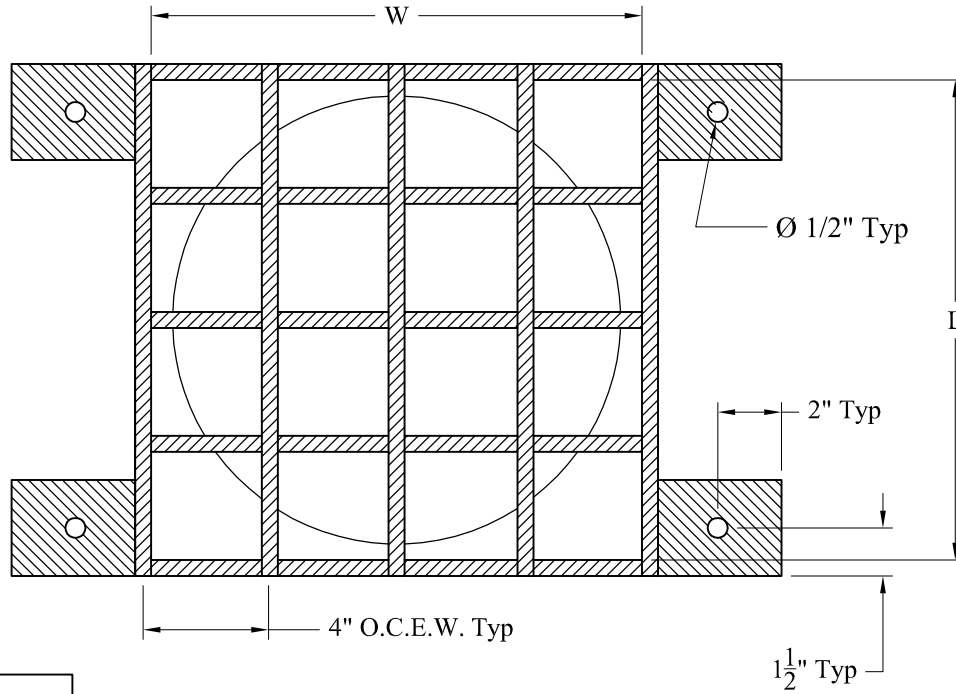


Stainless Steel Ø 3/8" Concrete Anchor  
Typ 4 Places



Orifice Size	
L	
W	

**General Notes**

1. Materials:
  - (4) Flat Steel Bar 3" x 4" x 1/4"
  - 1/2" Dia HR Round Steel Bars
2. Finish Options:
  - A. Unfinished
  - B. Painted
  - C. Hot Dip Galvanized

Phoenix  
Precast  
Products

Round Structure  
Trash Rack

P/N: