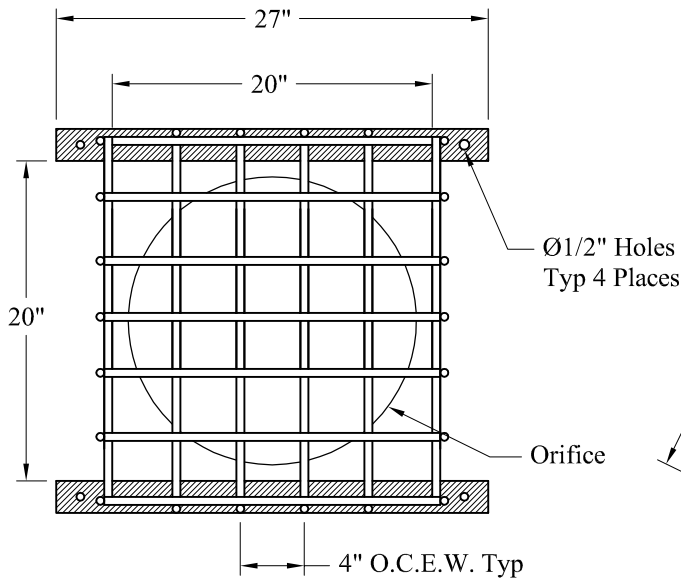
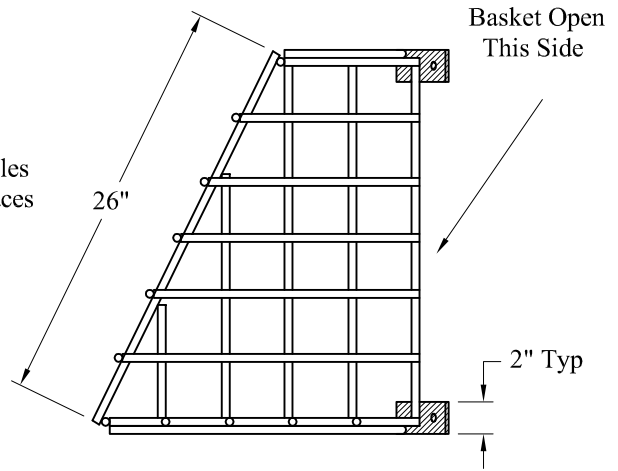


Top View



Front View



Side View

Note:
4" x 4" Pattern is
Continued on Underside

General Notes

1. Materials:
2" x 3/16" Flat Steel Bar
1/2" Dia HR Round Steel Bars @ 4" O.C.E.W.
2. Finish Options:
A. Unfinished
B. Painted
C. Hot Dip Galvanized
3. Fastening Method:
Bolted With 3/8" Stainless Steel Concrete Anchors

Phoenix
Precast
Products

Round Structure
Trash Rack
Angled 20" x 20"

P/N: