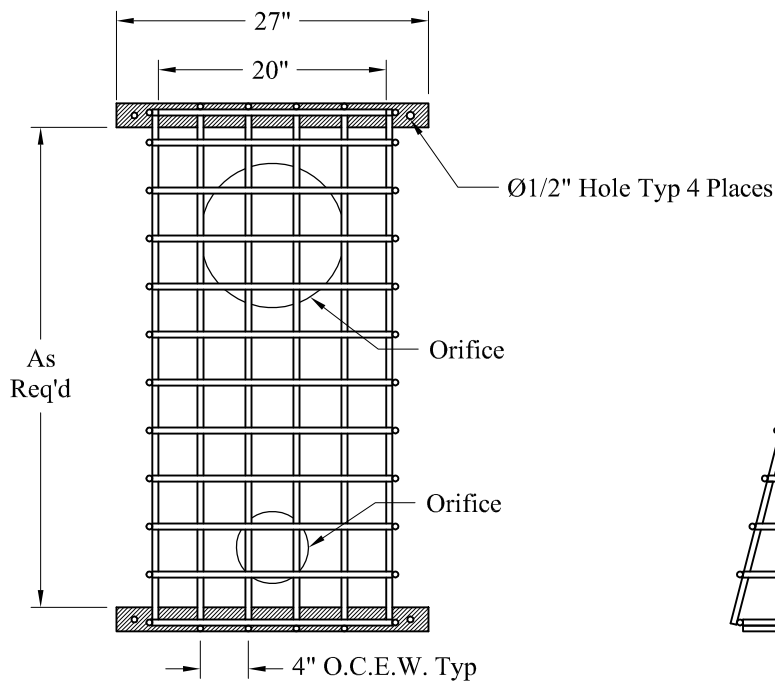
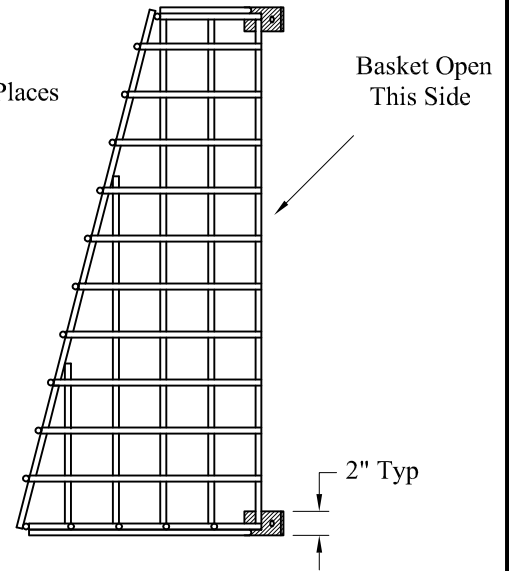


Top View



Front View



Side View

General Notes

1. Materials:
 - 2" x 3/16" Flat Steel Bar
 - 1/2" Dia HR Round Steel Bars @ 4" O.C.E.W.
2. Finish Options:
 - A. Unfinished
 - B. Painted
 - C. Hot Dip Galvanized
3. Fastening Method:
 - Bolted With 3/8" Stainless Steel Concrete Anchors

Note:
4" x 4" Pattern is
Continued on Underside

Phoenix Precast Products	Round Structures Trash Rack Angled 20" Adjustable
--------------------------------	---------------------------------------------------------

P/N: