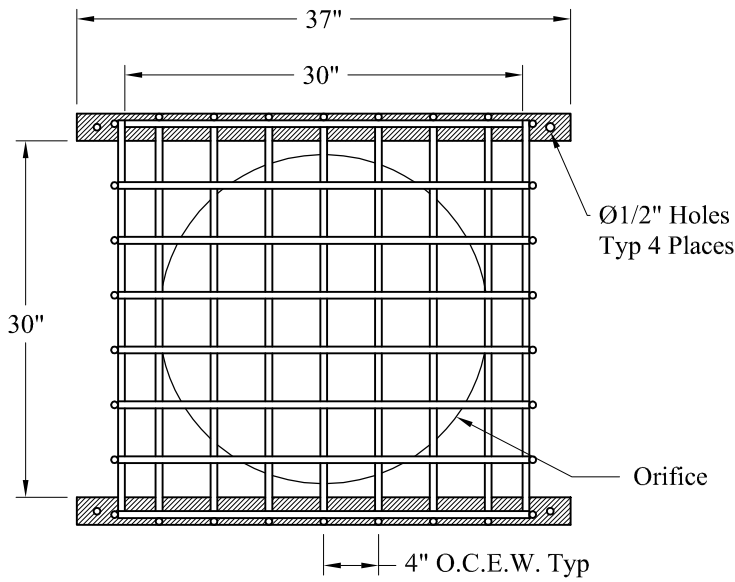
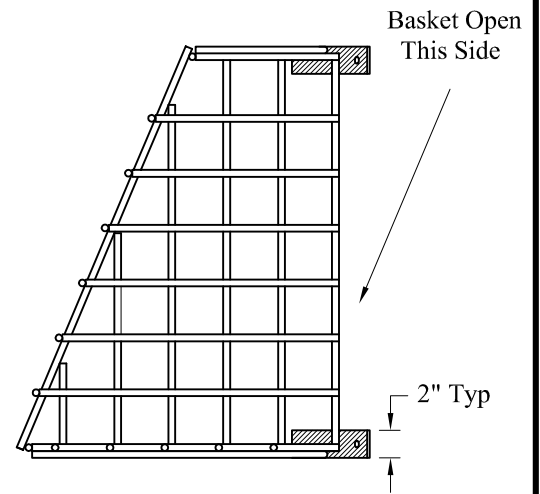


Top View



Front View



Side View

Note:  
4" x 4" Pattern is  
Continued on Underside

**General Notes**

1. Materials:  
2" x 3/16" Flat Steel Bar  
1/2" Dia HR Round Steel Bars @ 4" O.C.E.W.
2. Finish Options:  
A. Unfinished  
B. Painted  
C. Hot Dip Galvanized
3. Fastening Method:  
Bolted With 3/8" Stainless Steel Concrete Anchors

Phoenix  
Precast  
Products

Round Structure  
Trash Rack  
Angled 30" x 30"

P/N: