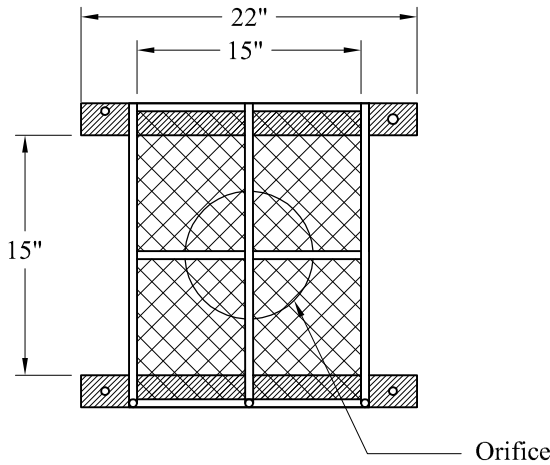
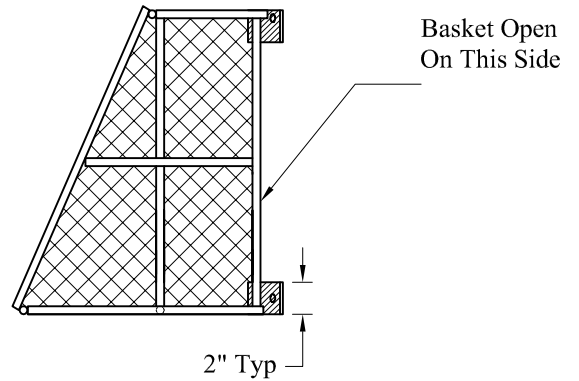


Top View



Front View



Side View

General Notes

1. Materials:
 - 2" x $\frac{3}{16}$ " Flat Steel Bar
 - $\frac{1}{2}$ " Dia HR Round Steel Bars
 - 3/4 - #9 Flattened Expanded Metal Sheet
2. Finish: Hot Dip Galvanized
3. Fastening Method: Bolted With $\frac{3}{8}$ " Stainless Steel Concrete Anchors
4. Est Weight: 20 Lbs

**Phoenix
Precast
Products**

**Round Structure Trash Rack
Angled Expanded Metal
15" x 15"**

P/N: