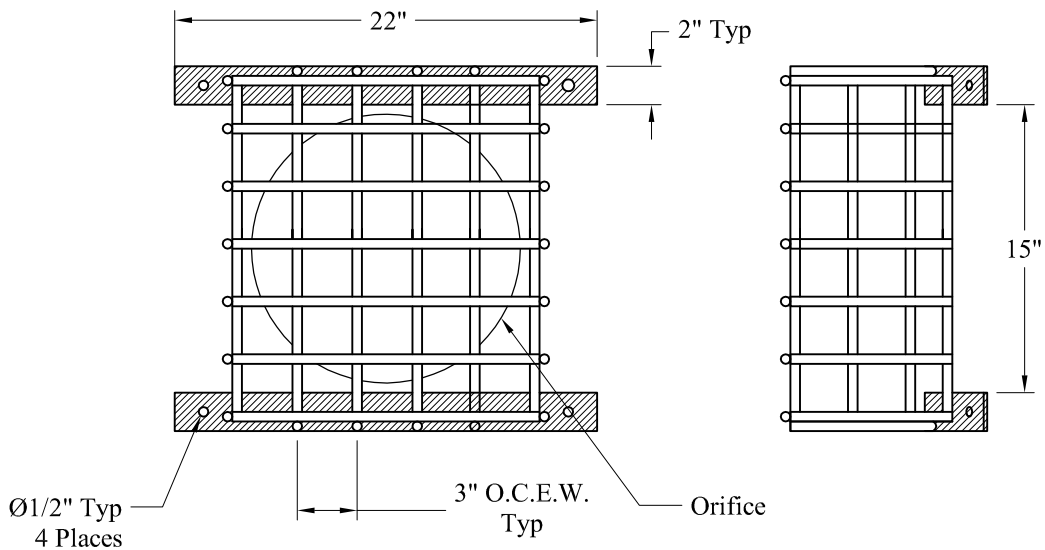


Plan View



Front View

Side View

General Notes

1. Materials:
 - 2" x 3/16" Flat Steel Bar
 - 1/2" Dia HR Round Steel Bars @ 4" O.C.E.W.
2. Finish Options:
 - A. Unfinished
 - B. Painted
 - C. Hot Dip Galvanized
3. Fastening Method:
 - Bolted With 3/8" Stainless Steel Concrete Anchors

Phoenix
Precast
Products

Round Structure
Trash Rack
Flat 15" x 15"

P/N: