

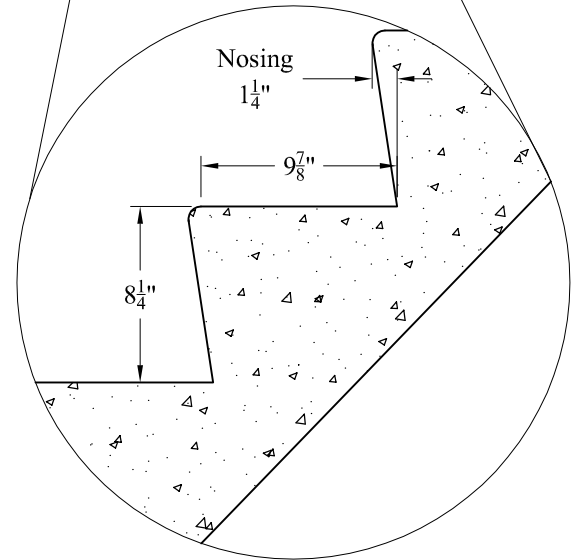
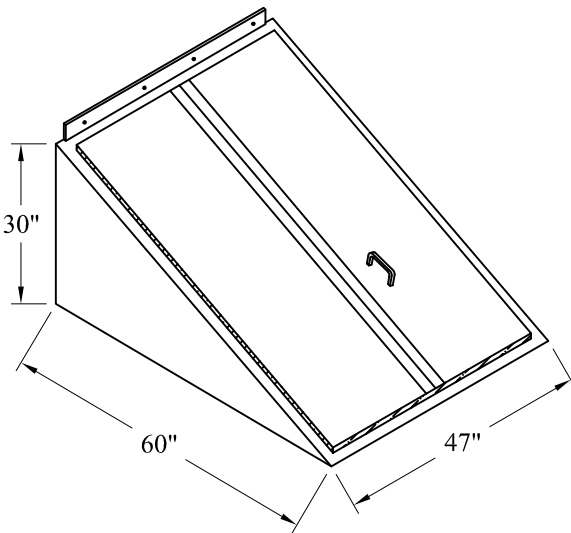
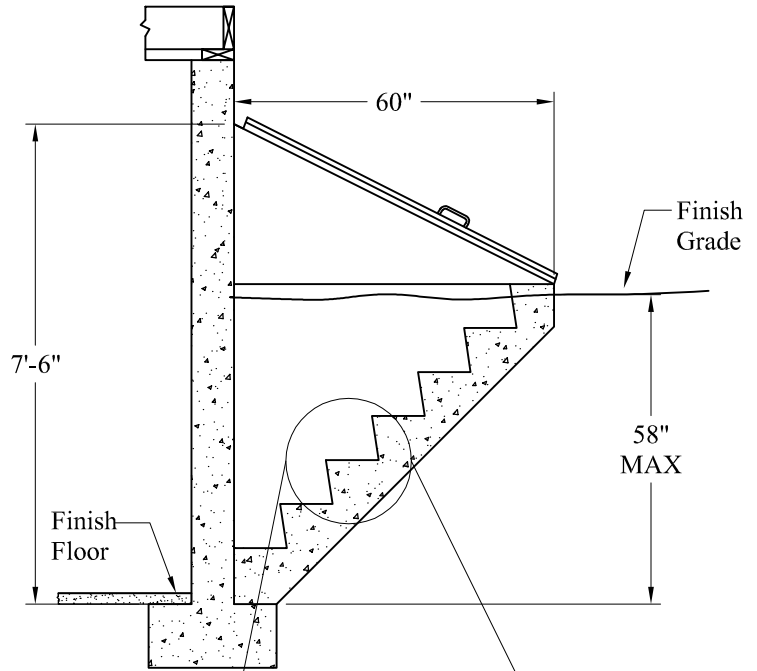
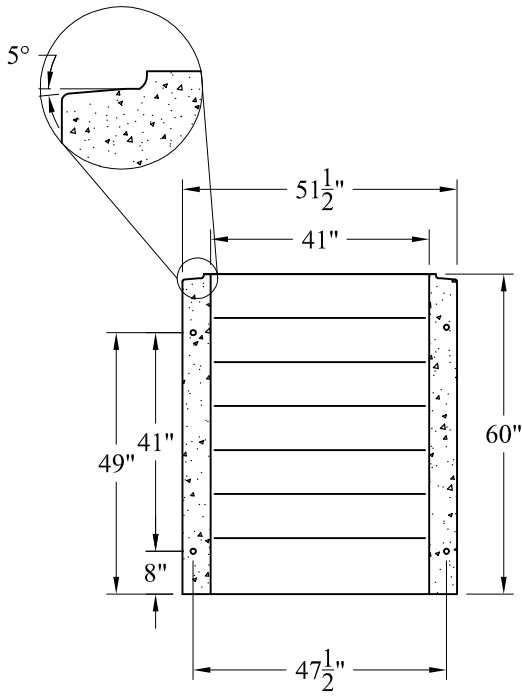
1-800-639-2199

Fax (603) 224-2927

Steps/Basement Entrance/Type O

Phoenix Precast Products

Phoenix Precast Products



General Notes

- 1.) Concrete 4,000 psi Minimum After 28 Days
- 2.) Heavy Double Leaf Steel Doors Primed Not Painted

Phoenix
Precast
Products

Basement Entrance
Type "O"
3,600 Lb. Casting Weight

P/N: BH-O