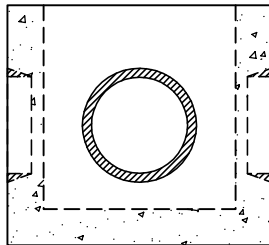
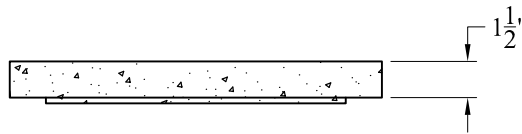
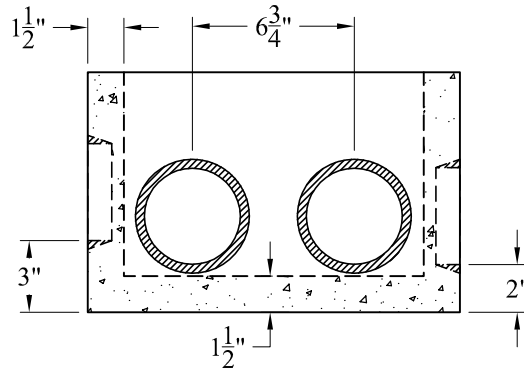


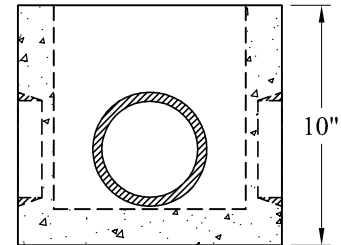
Plan View



Inlet End



Side View



Outlet End

General Notes

- 1.) Concrete: $f_c = 4,000$ PSI @ 28 Days Minimum
- 2.) Plastic Pipe Seals On All Openings
- 3.) Est Weights:

Box:	68 Lbs
Cover:	22 Lbs
Total:	90 Lbs

Phoenix
Precast
Products

5 Outlet
"D" Box

P/N: DB-5