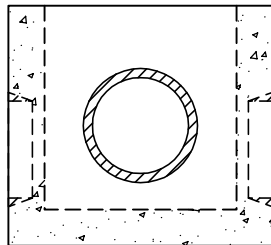
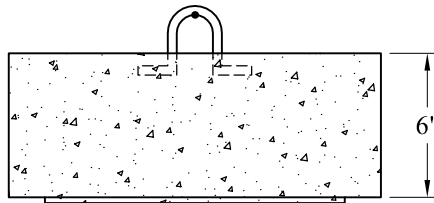
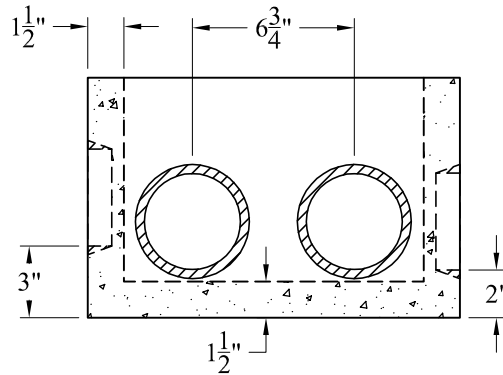


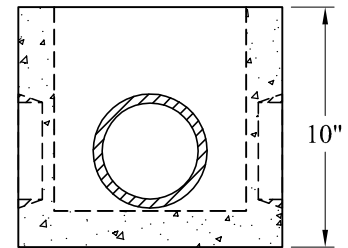
Plan View



Inlet End



Section View



Outlet End

**General Notes**

- 1.) Concrete: fc = 4,000 PSI @ 28 Days Minimum
- 2.) Plastic Pipe Seals On All Openings
- 3.) Est Weights:  
 Box: 68 Lbs  
 Cover: 92 Lbs  
 Total: 160 Lbs

**Phoenix  
Precast  
Products**

**5 Outlet "D" Box  
With  
Heavy Duty Cover**

**P/N: DB-5HD**