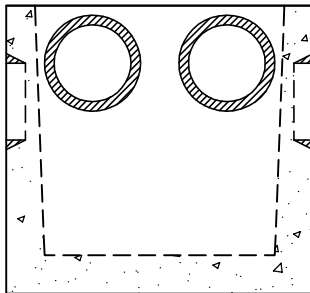
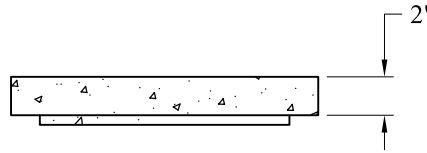
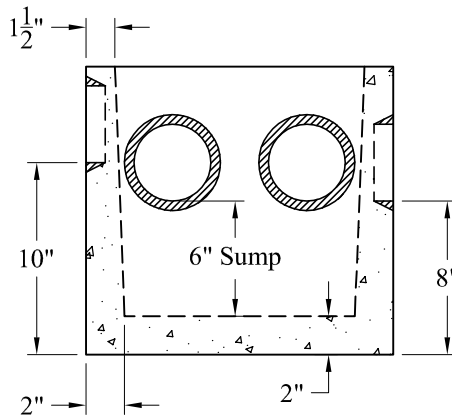


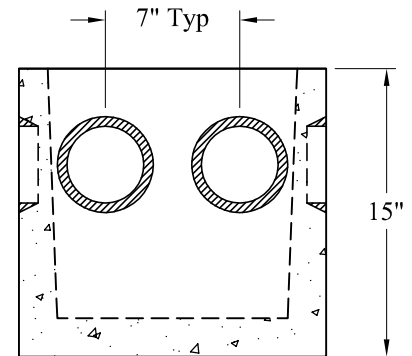
Plan View



Inlet End



Section View



Outlet End

**General Notes**

- 1.) Concrete:  $f_c = 4,000$  PSI @ 28 Days Minimum
- 2.) Plastic Pipe Seals On All Openings
- 3.) Est Weights:  
 Box: 142 Lbs  
 Cover: 52 Lbs  
 Total: 194 Lbs

Phoenix  
Precast  
Products

6 Outlet / 2 Inlet  
"D" Box  
With Sump

P/N: DB-6 Dual Inlet