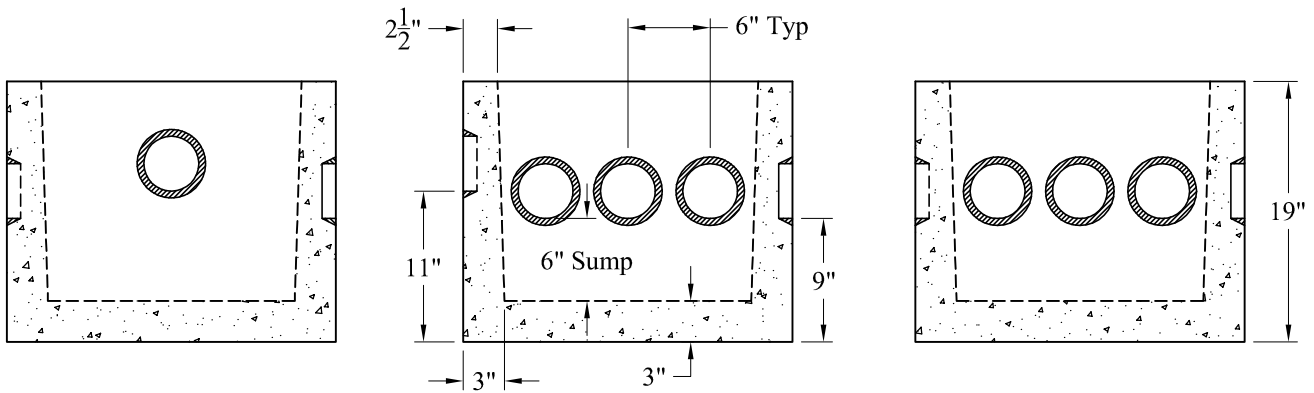
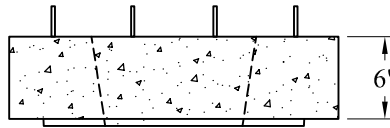


Plan View



Inlet End

Section View

Outlet End

General Notes

- 1.) Concrete: $f_c = 4,000$ PSI @ 28 Days Minimum
- 2.) Design Loading: AASHTO-HS20-44
- 3.) Plastic Pipe Seals On All Openings
- 4.) Weight:
 - Box: 422 Lbs
 - Cover: 196 Lbs
 - Total: 618 Lbs

Phoenix
Precast
Products

9 Outlet H-20
"D" Box
With Sump

P/N: DB-9H20