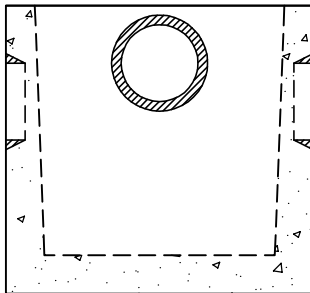
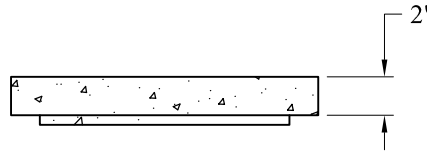
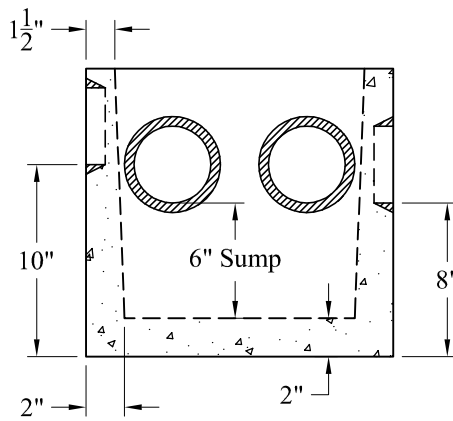


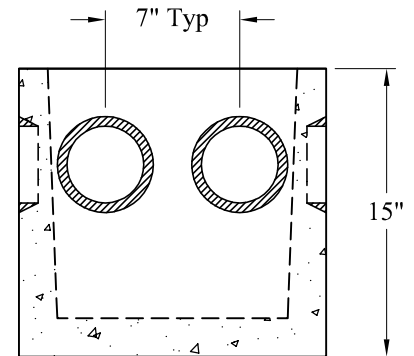
Plan View



Inlet End



Section View



Outlet End

General Notes

- 1.) Concrete: $f_c = 4,000$ PSI @ 28 Days Minimum
- 2.) Plastic Pipe Seals On All Openings
- 3.) Est Weights:

Box:	142 Lbs
Cover:	52 Lbs
Total:	194 Lbs

Phoenix
Precast
Products

6 Outlet "D" Box
With Sump

P/N: DB-6