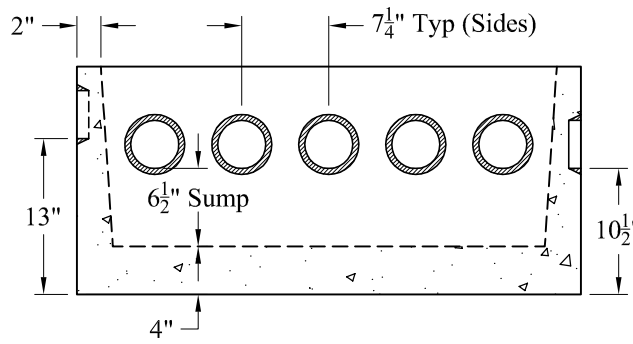
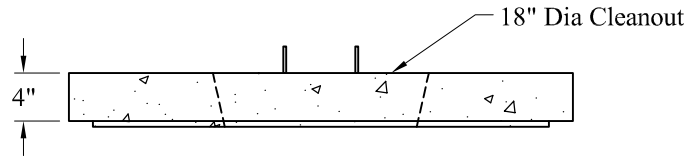
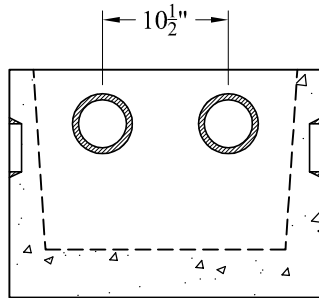


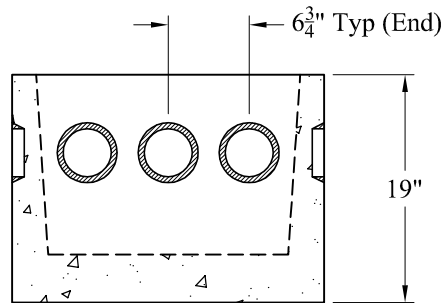
Plan View



Section View



Inlet End



Outlet End

General Notes

- 1.) Concrete: $f_c = 4,000$ PSI @ 28 Days Minimum
- 2.) Design Loading: AASHTO-HS20-44
- 3.) Plastic Pipe Seals On All Openings
- 4.) Est Weights:
 - Box: 800 Lbs
 - Cover: 405 Lbs
 - Total: 1,205 Lbs

Phoenix
Precast
Products

13 Outlet / 2 Inlet
H-20 "D" Box
With Sump

P/N: DB-13H20