

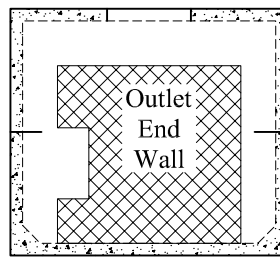
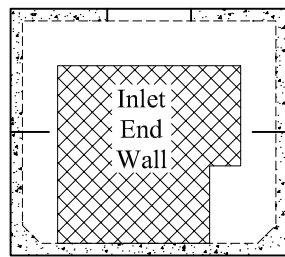
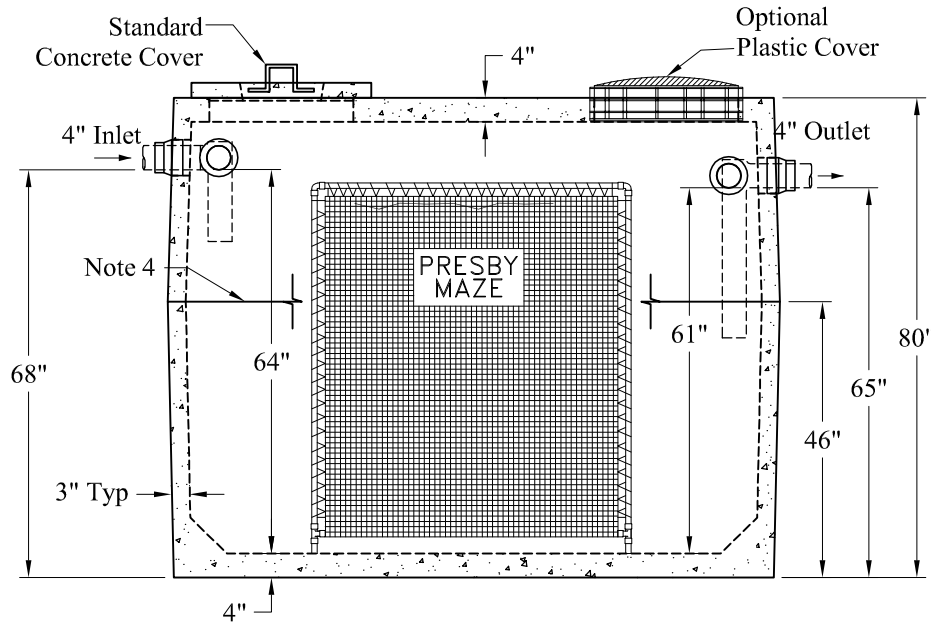
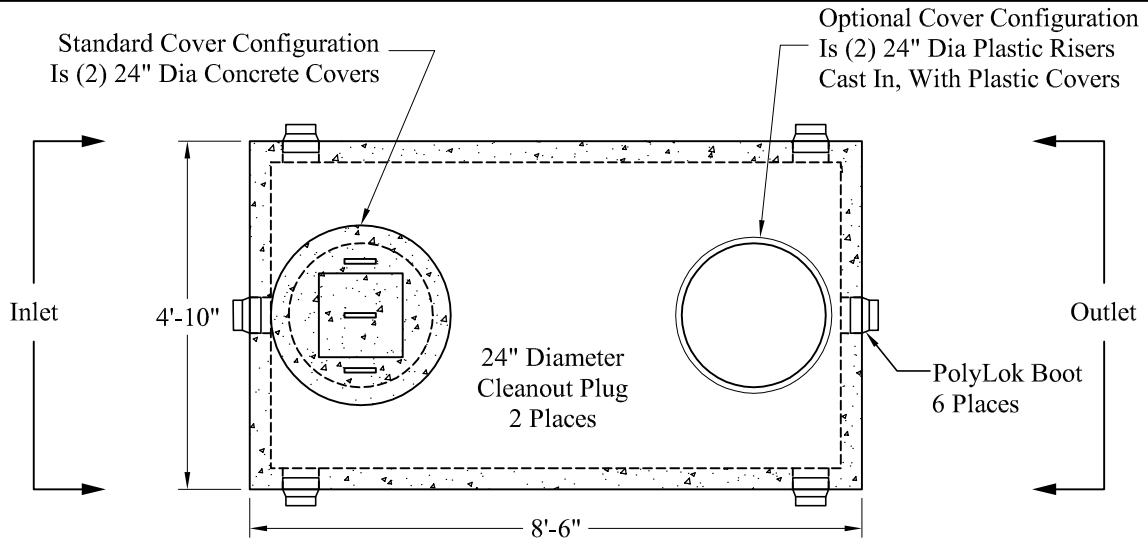
1-800-639-2199

Fax (603) 224-2927

Tanks\Standard\1,250 Gal\1250 Gal LD Septic Tank (Presby)_Sales

Phoenix Precast Products

Phoenix Precast Products



End Views of Maze (NTS)

General Notes

1. Steel Reinforcement Conforms to Latest ASTM Specifications: ASTM-A615 Grade 60 Rebar
 2. Concrete: $f_c = 4,000$ psi @ 28 Days Minimum
 3. Flexible Sleeves Used On All Pipe Openings
 4. Butyl Rubber Joint Sealant Provided
 5. Internal PVC Baffles Available
- Inlet: Shall Penetrate at Least 9" Below the Liquid Level, But Not Deeper Than the Outlet Baffle.
- Outlet: Shall Extend Below the Surface of the Liquid Equal to 40% of the Liquid Depth (25").
6. LD Tanks: 3' Cover Max, Non-Traffic

Est Weight:

Upper: 4,340 Lbs
 Lower: 5,600 Lbs
 Total: 9,940 Lbs

Phoenix
Precast
Products

1,250 Gallon
LD Septic Tank
With Presby Maze

P/N: ST-1250RLD