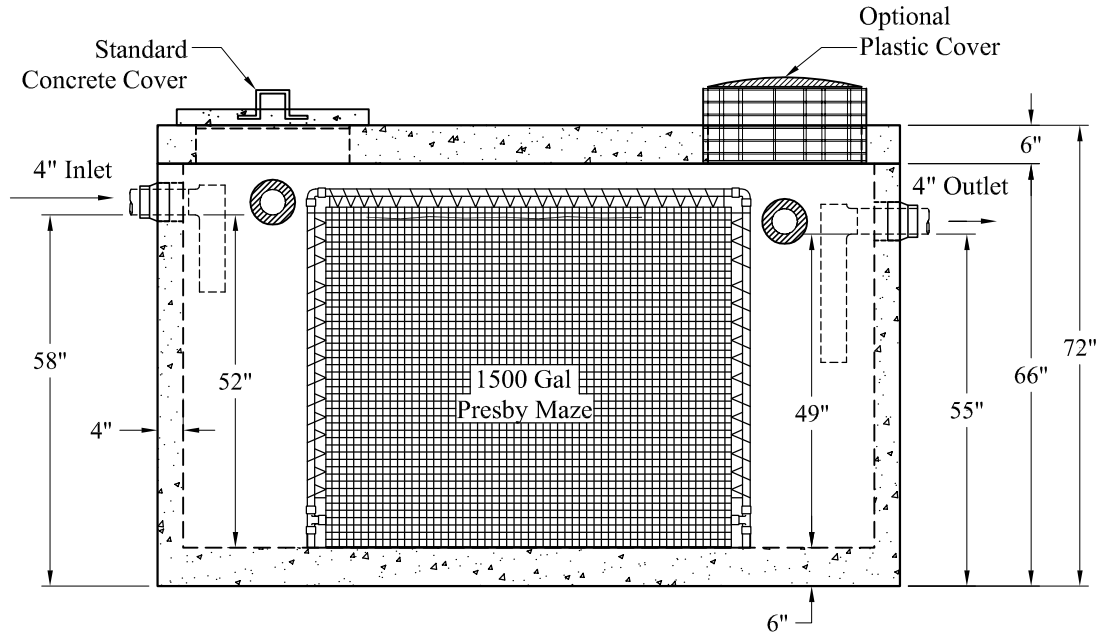
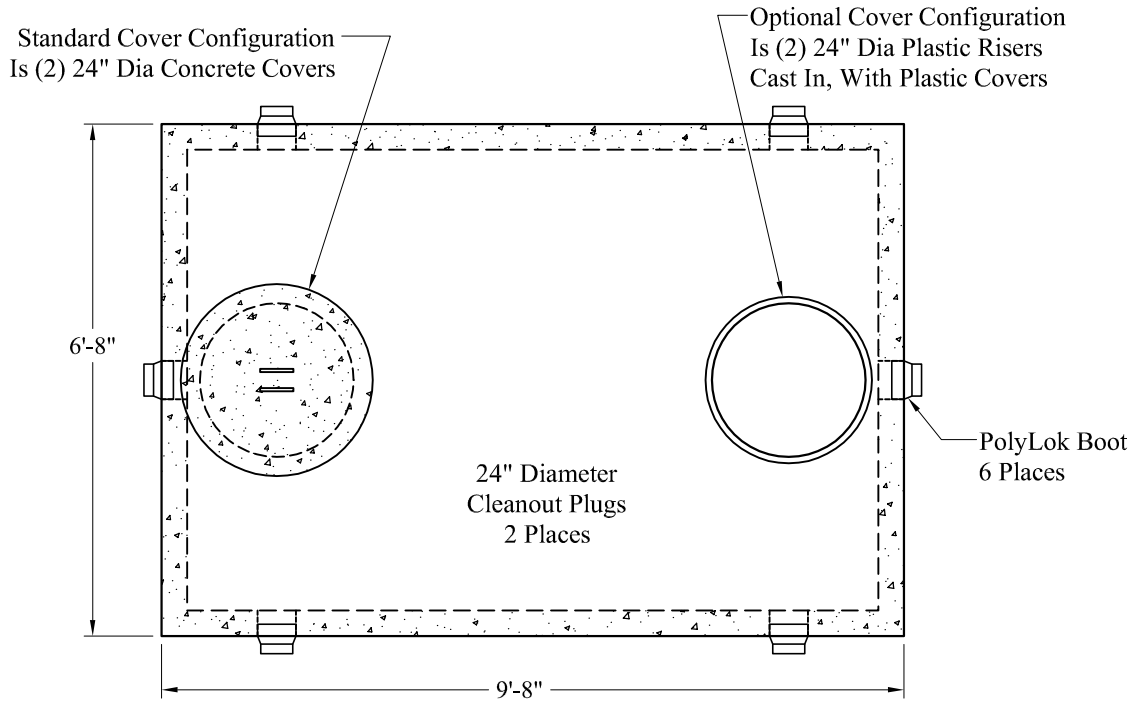


1-800-639-2199

Fax (603) 224-2927

Phoenix Precast Products Tanks\Standard\1,500Gal\1500 Gal HD Septic Tank Top Seam Presby Maze

Phoenix Precast Products



Liquid Levels: 405 Gals/VF
 4" PVC = 1,652 Gals Inverts: Inlet - 58" Outlet - 55"
 6" PVC = 1,620 Gals Inverts: Inlet - 57" Outlet - 54"

General Notes

1. Steel Reinforcement Conforms to Latest ASTM Specifications: ASTM-A615 Grade 60 Rebar
2. Concrete: fc = 4,000 psi @ 28 Days Minimum
3. Flexible Sleeves Used On All Pipe Openings
4. Butyl Rubber Joint Sealant Provided
5. Internal PVC Baffles Available
- Inlet: Shall Penetrate at Least 9" Below the Liquid Level, But Not Deeper Than the Outlet Baffle.
- Outlet: Shall Extend Below the Surface of the Liquid Equal to 40% of the Liquid Depth (20").
6. HD Tanks: 3' - 6' Cover Max, Non-Traffic

Weights:
 Top Slab: 4,350 Lbs
 Base: 12,450 Lbs
 Total Weight: 16,800 Lbs

**Phoenix
 Precast
 Products** **1500 Gallon HD
 Monolithic Tank
 With Presby Maze**

P/N: ST-1500MHD