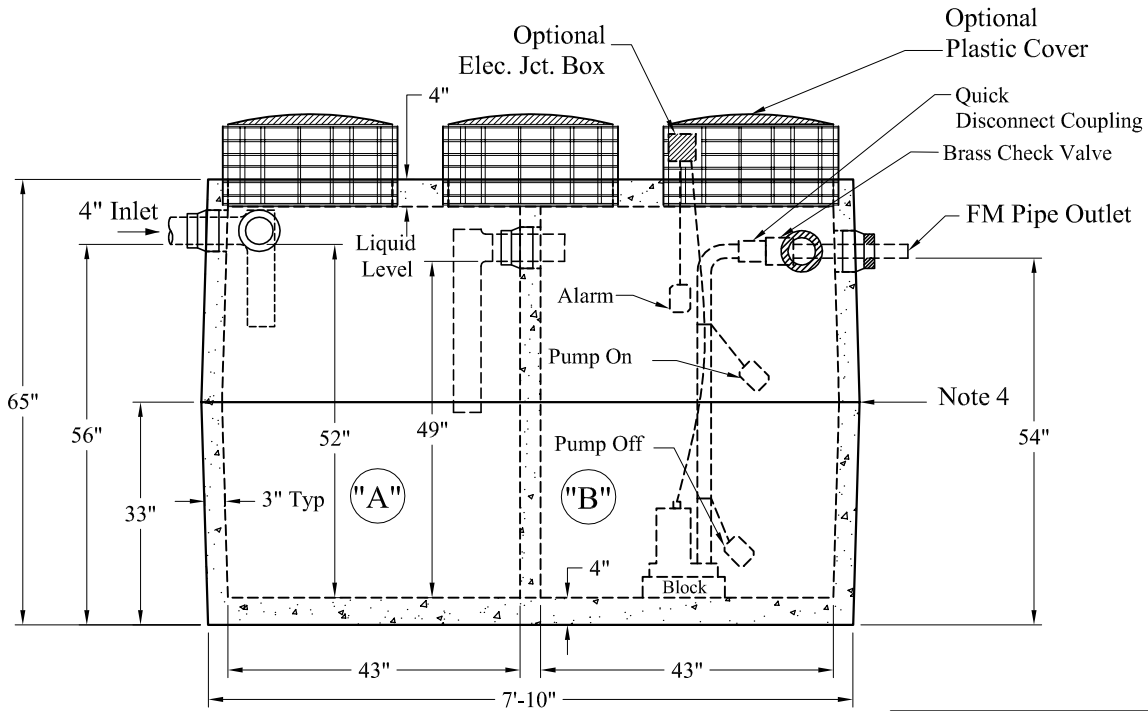


NOTE: A Pipe Bushing Will Be Required On All Boots with Pipes Less Than 4"



Pumps and Related Accessories are Optional.
Junction Box And Electrical Connections
Installed By Others

Elevations:	
Rim:	
Invert In:	
Alarm On:	
Pump On:	
Pump Off:	
Inside Floor:	

General Notes

1. Steel Reinforcement Conforms to Latest ASTM Specifications: ASTM-A615 Grade 60 Rebar
2. Concrete: $f_c = 4,000$ psi @ 28 Days Minimum
3. Flexible Sleeves Used On All Pipe Openings
4. Butyl Rubber Joint Sealant Provided
5. Internal PVC Baffles Available
- Inlet: Shall Penetrate at Least 9" Below the Liquid Level, But Not Deeper Than the Outlet Baffle.
- Outlet: Shall Extend Below the Surface of the Liquid Equal to 40% of the Liquid Depth (20").
6. "A" Liquid Level = 116 Gals/VF (10 Gals/In) "A" = 473 Gals
"B" Liquid Level = 116 Gals/VF (10 Gals/In) "B" = 469 Gals
Total = 942 Gals
7. LD Tanks: 3' Cover Max, Non-Traffic

Est Weight:
Upper: 4,400 Lbs
Lower: 4,400 Lbs
Total: 8,800 Lbs

**Phoenix
Precast
Products**

**500/500 Gallon
LD Mid-Seam
2 Compartment Pump Tank**

P/N: