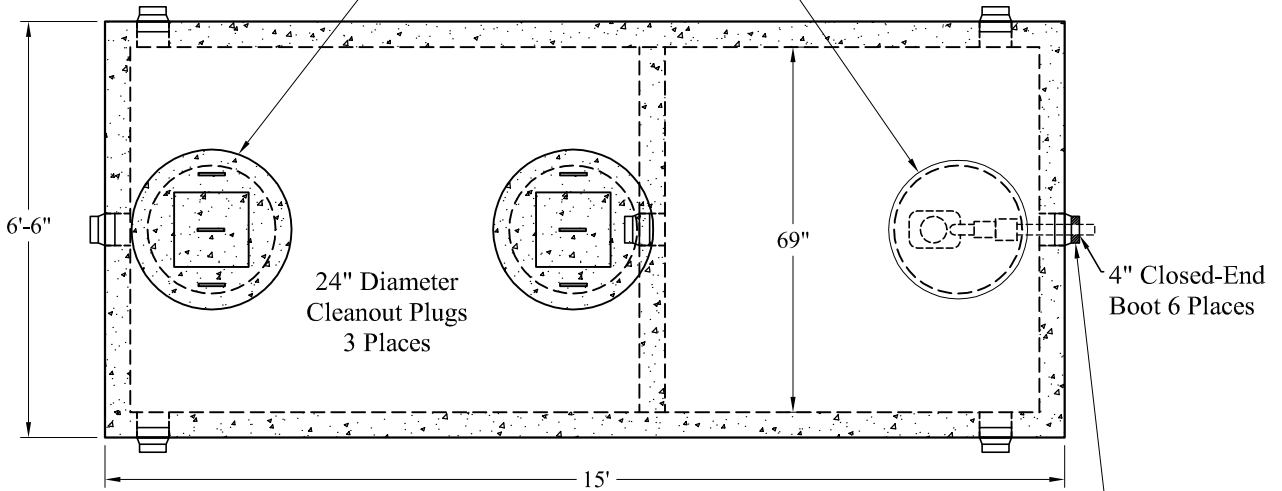
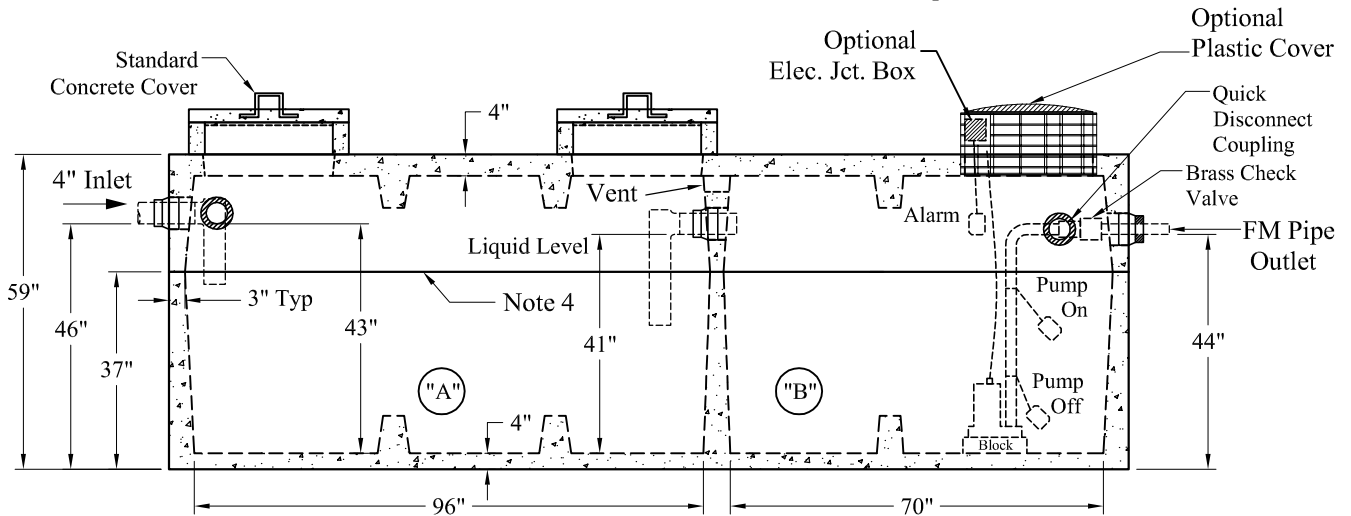


Standard Cover Configuration
Is (3) 24" Dia Concrete Covers

Optional Cover Configuration
Is (3) 24" Dia Plastic Risers
Cast In, With Plastic Covers



NOTE: A Pipe Bushing Will Be Required
On All Boots with Pipes Less Than 4"



Pumps and Related Accessories are Optional.
Junction Box And Electrical Connections
Installed By Others

General Notes

1. Steel Reinforcement Conforms to Latest ASTM Specifications: ASTM-A615 Grade 60 Rebar
2. Concrete: $f_c = 4,000$ psi @ 28 Days Minimum
3. Flexible Sleeves Used On All Pipe Openings
4. Butyl Rubber Joint Sealant Provided
5. Internal PVC Baffles Available
- Inlet: Shall Penetrate at Least 9" Below the Liquid Level, But Not Deeper Than the Outlet Baffle.
- Outlet: Shall Extend Below the Surface of the Liquid Equal to 40% of the Liquid Depth (16").
6. "A" Liquid Level = 355 Gals/VF (30 Gals/In) "A" = 1,214 Gals
"B" Liquid Level = 262 Gals/VF (22 Gals/In) "B" = 872 Gals
Total = 2,086 Gals
7. LD Tanks: 3' Cover Max, Non-Traffic

Elevations:	
Rim:	
Invert In:	
Alarm On:	
Pump On:	
Pump Off:	
Inside Floor:	

Est Weight:
Top: 9,440 Lbs
Base: 11,790 Lbs
Total: 21,230 Lbs

**Phoenix
Precast
Products**

1,250 / 900 Gallon
LD Mid-Seam
2 Compartment Pump Tank

P/N: