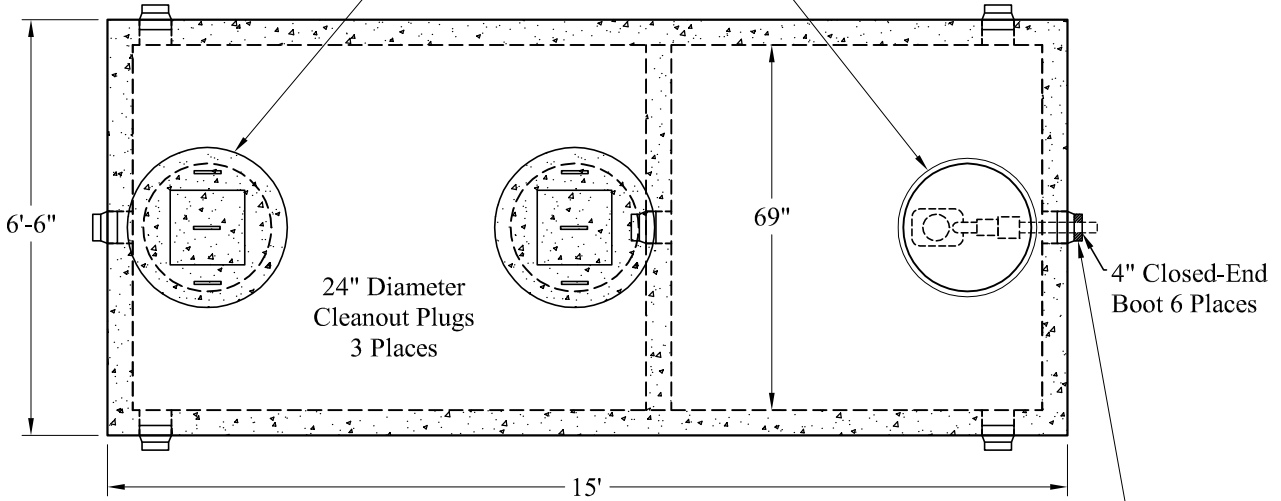
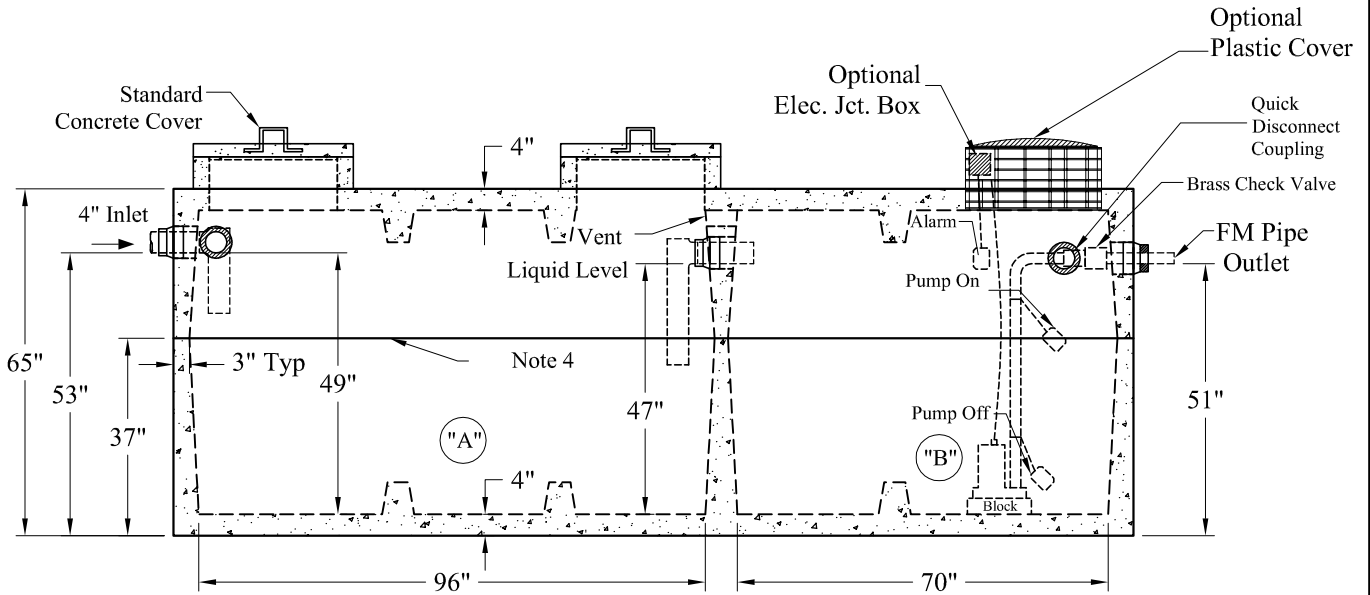


Standard Cover Configuration  
Is (3) 24" Dia Concrete Covers

Optional Cover Configuration  
Is (3) 24" Dia Plastic Risers  
Cast In, With Plastic Covers



NOTE: A Pipe Bushing Will Be Required  
On All Boots with Pipes Less Than 4"



Pumps and Related Accessories are Optional.  
Junction Box And Electrical Connections  
Installed By Others

**General Notes**

1. Steel Reinforcement Conforms to Latest ASTM Specifications: ASTM-A615 Grade 60 Rebar
2. Concrete:  $f_c = 4,000$  psi @ 28 Days Minimum
3. Flexible Sleeves Used On All Pipe Openings
4. Butyl Rubber Joint Sealant Provided
5. Internal PVC Baffles Available
- Inlet: Shall Penetrate at Least 9" Below the Liquid Level, But Not Deeper Than the Outlet Baffle.
- Outlet: Shall Extend Below the Surface of the Liquid Equal to 40% of the Liquid Depth (19").
6. "A" Liquid Level = 355 Gals/VF (30 Gals/In) "A" = 1,392 Gals  
"B" Liquid Level = 262 Gals/VF (22 Gals/In) "B" = 1,003 Gals  
Total = 2,395 Gals
7. LD Tanks: 3' Cover Max, Non-Traffic

<b>Elevations:</b>	
Rim:	
Invert In:	
Alarm On:	
Pump On:	
Pump Off:	
Inside Floor:	

Est Weight:  
Upper: 9,800 Lbs  
Lower: 11,790 Lbs  
Total: 21,590 Lbs

**Phoenix  
Precast  
Products**

1,400 / 1,000 Gallon  
LD Mid-Seam  
2 Compartment Pump Tank

P/N: