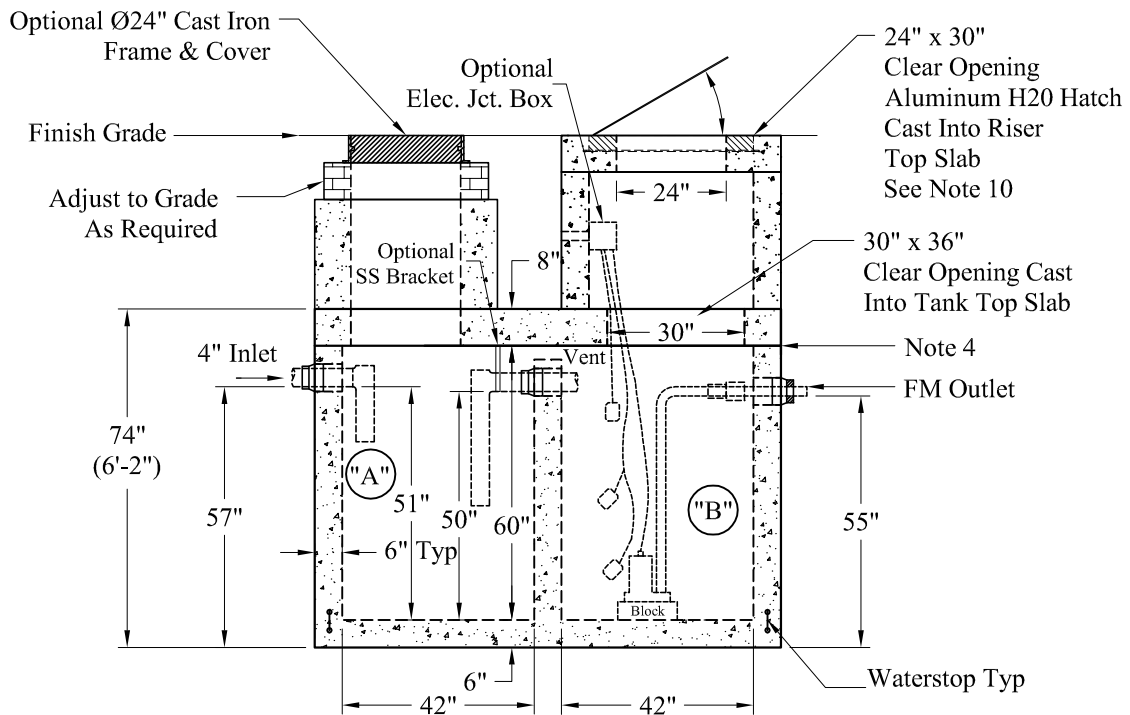


NOTE: A Pipe Bushing Will Be Required on all Boots with Pipes Less Than 4"



**General Notes:**

1. Steel Reinforcement Conforms to Latest ASTM Specifications: ASTM-A615 Grade 60 Rebar
2. Concrete:  $f_c = 5,000$  psi @ 28 Days Minimum
3. Flexible Sleeves Provided On All Pipe Connections
4. Butyl Rubber Joint Sealant Provided
5. Internal PVC Baffles Available Upon Request  
Inlet: Shall Penetrate at Least 9" Below the Liquid Level, But Not Deeper Than the Outlet Baffle.  
Outlet: Shall Extend Below the Surface of the Liquid Equal to 40% of the Liquid Depth. (20")
6. Design Loading: AASHTO-HS20-44, ASTM C-890-06
7. Design Specified As: ASTM C-1227-08, ASTM C-913-08
8. Other Inlet/Outlet Pipe Sizes Available
9. "A" Liquid Levels: = 131 Gals/VF (11 Gals/In)  
 "B" Liquid Levels: = 131 Gals/VF (11 Gals/In)  
 4": "A"= 546 Gallons    6": "A"= 534 Gallons  
 "B" = 524 Gallons    "B" = 513 Gallons
10. Larger Hatch Sizes Are Available

Pumps and Related Accessories are Optional. Junction Box And Electrical Connections Installed By Others

Est Weights:  
 Top Slab - 5,000 Lbs  
 Base - 14,850 Lbs  
 Total: 19,850 Lbs

Elevations:	
Rim:	
Invert In:	
Alarm On:	
Pump On:	
Pump Off:	
Inside Floor:	

**Phoenix  
 Precast  
 Products**

**500 / 500 Gallon  
 2 Compartment HS-20  
 Duplex Pump Tank**